



SINCE 1963

**MODULAR  
CONVEYOR SYSTEM  
PRODUCT CATALOGUE  
STAINLESS STEEL**

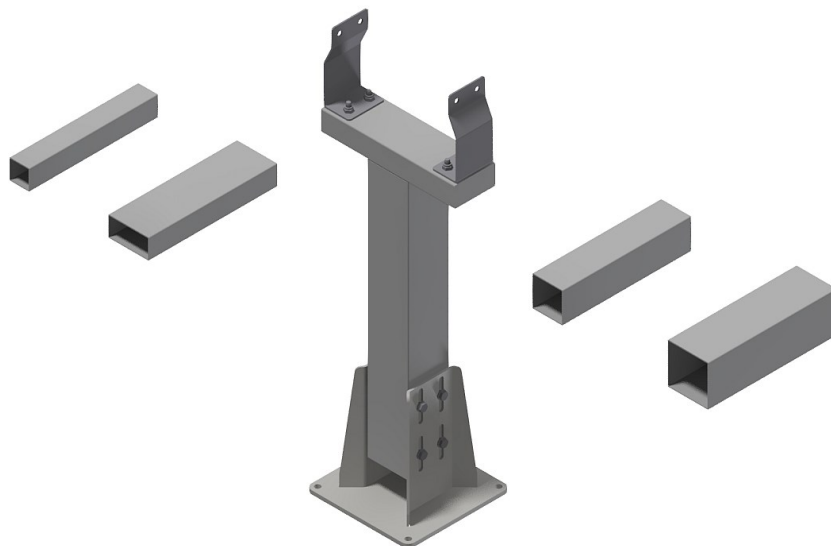
## Contents

<a href="#">S5100</a>	Profiles and fasteners	p. 3-14
<a href="#">S5200</a>	Bearings	p. 15-16
<a href="#">S5300</a>	Guide rail and guide rail brackets	p. 17-25
<a href="#">S5400</a>	Slide rails	p. 26-27
<a href="#">S520</a>	Conveyor system	p. 28-51
<a href="#">S530</a>	Conveyor system	p. 52-79
<a href="#">S540</a>	Conveyor system	p. 80-101
<a href="#">S560</a>	Conveyor system	p. 102-121
<a href="#">S5900</a>	Drive and idler parts	p. 122-140
<a href="#">S1000</a>	Mounting tools	p. 141-142

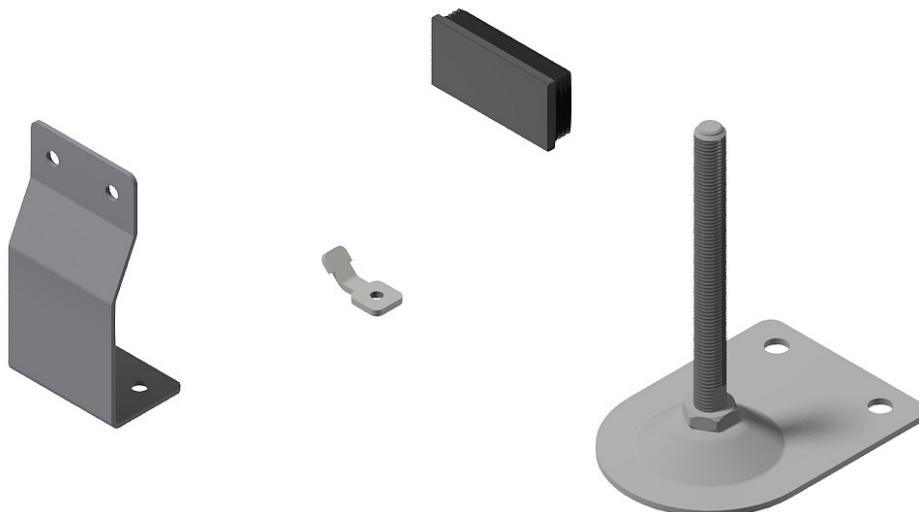
Components manufactured by Carryline consist of stainless steel 1.4301, 14305 and 1.4307.  
Material specification on individual article on request.

**Edition 2022**

**Change without notice**



# S5100



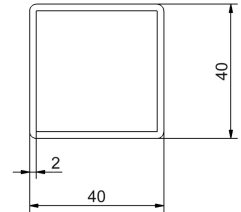
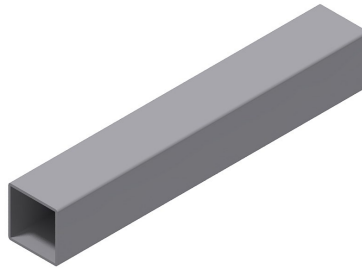
Series 5100

**Square tube**

Polished stainless steel square tube

Weight 2430 g/m

Length 6 m



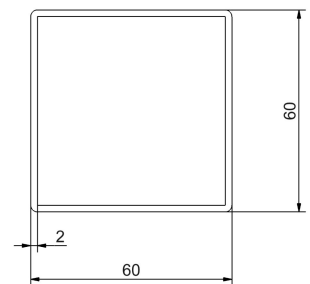
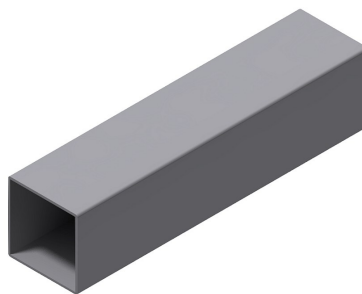
**Part.no 500-1010**

**Square tube**

Polished stainless steel square tube

Weight 3720 g/m

Length 6 m



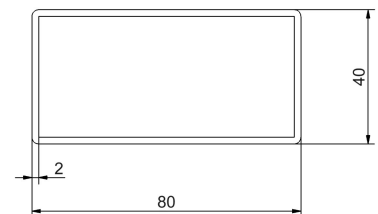
**Part.no 500-1015**

**Square tube**

Polished stainless steel square tube

Weight 3720 g/m

Length 6 m



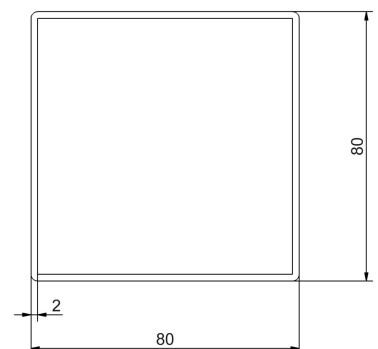
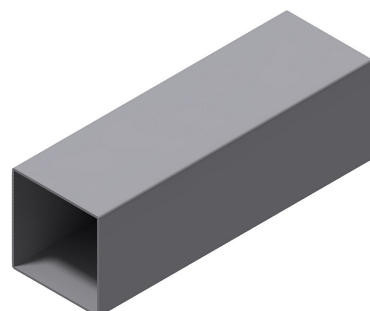
**Part.no 500-1020**

**Square tube**

Polished stainless steel square tube

Weight 5020 g/m

Length 6 m



**Part.no 500-1030**

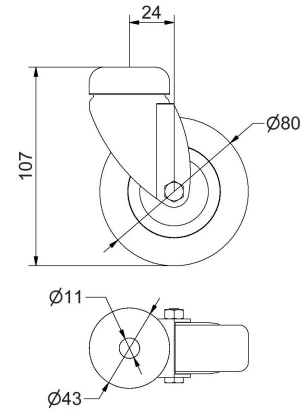


Series 5100

**Industrial castor**

Ball bearing, pivotable device castor.  
Fork in stainless steel.  
Wheels in polypropylene and rubber  
Weight 250 g

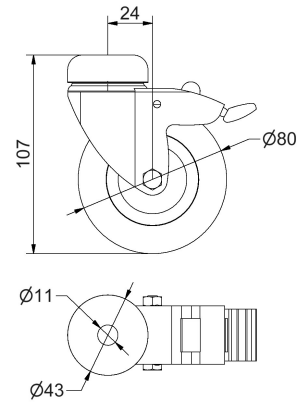
**Part.no 500-1127**



**Industrial castor**

With brake, ball bearing, pivotable de-  
vice castor.  
Fork in stainless steel.  
Wheels in polypropylene and rubber.  
Weight 300 g

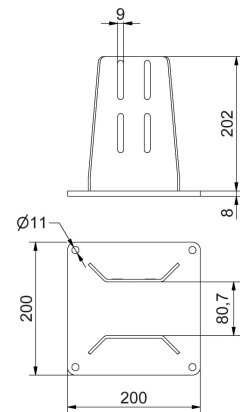
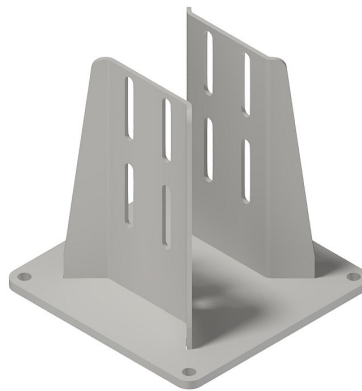
**Part.no 500-1126**



**Foot**

For profile 500-1030  
Stainless steel  
Weight 4170 g

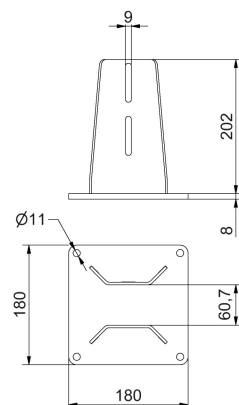
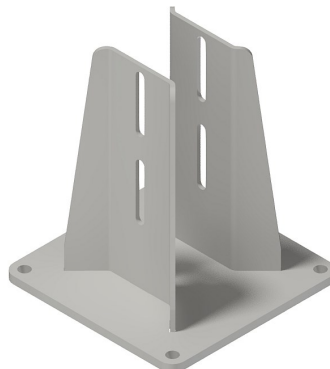
**Part.no 500-1131**



**Foot**

For profile 500-1015  
Stainless steel  
Weight 3480 g

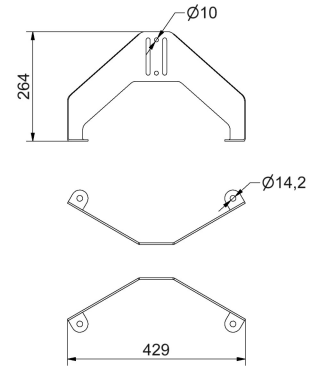
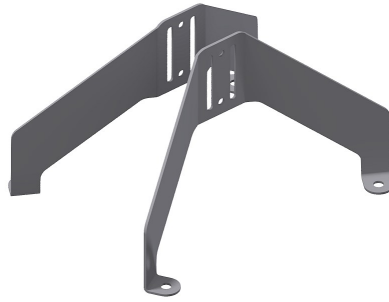
**Part.no 500-1141**



Series 5100

**Foot**

For all profiles  
Stainless steel  
Weight 1685 g/st  
Delivered in pairs (2 pcs)

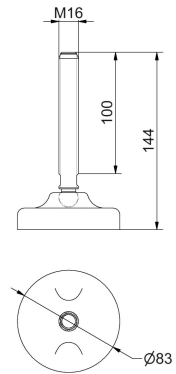
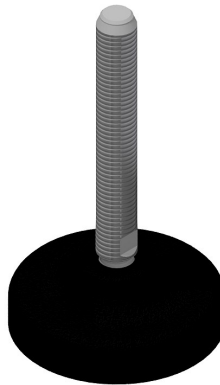


**Part.no 500-1155**

**Adjustable foot**

Stainless steel, black nylon  
Weight 200 g

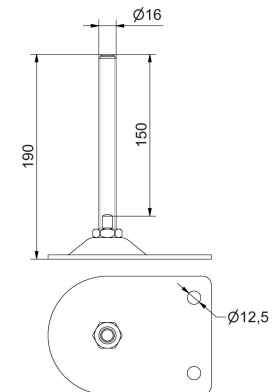
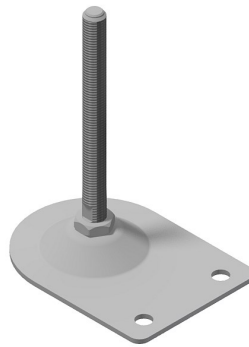
**Part.no 500-1120**



**Adjustable foot**

Stainless steel  
Weight 750 g

**Part.no 500-1130**

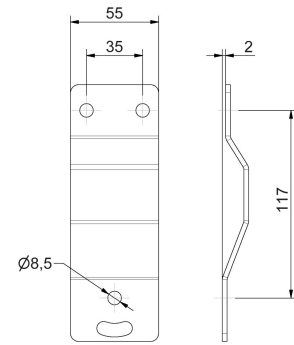


Series 5100

**Support bracket**

For conveyor profile 520-1000  
Stainless steel  
Weight 210 g

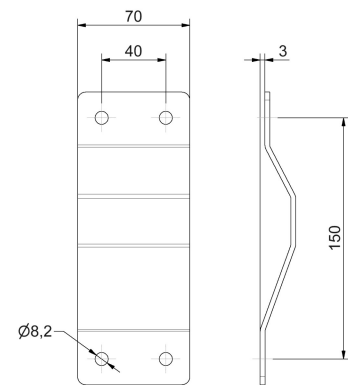
**Part.no 500-1225**



**Support bracket**

For conveyor profile 530-1000  
Stainless steel  
Weight 315 g

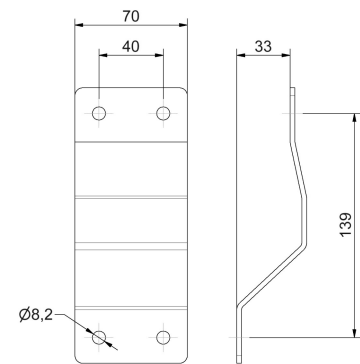
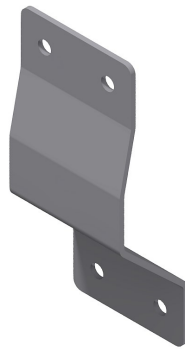
**Part.no 500-1230**



**Support bracket**

For conveyor profile 540-1000  
Stainless steel  
Weight 315 g

**Part.no 500-1232**

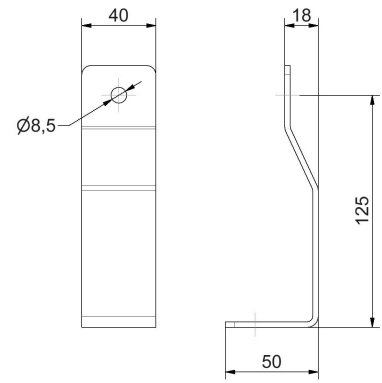
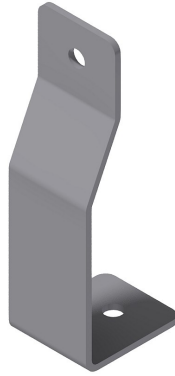


Series 5100

**Support bracket**

For all conveyor profiles  
Stainless steel  
Weight 180 g

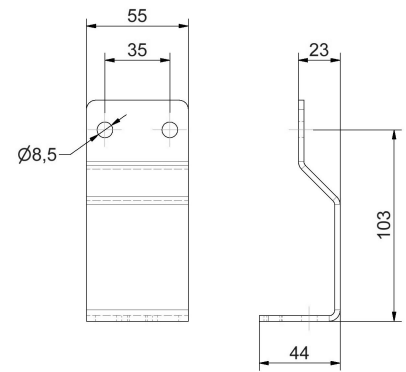
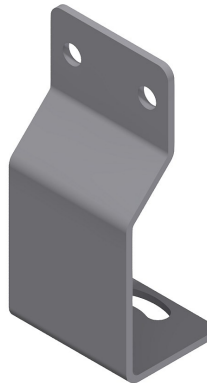
**Part.no 500-1220**



**Support bracket**

For all conveyor profiles  
Stainless steel  
Weight 210 g

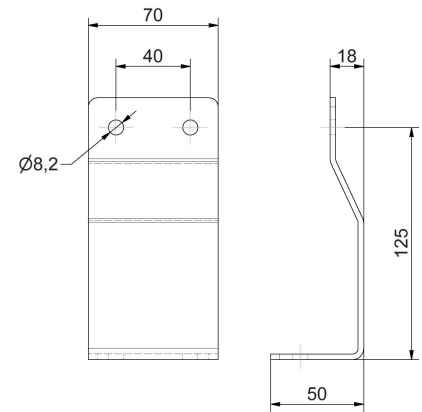
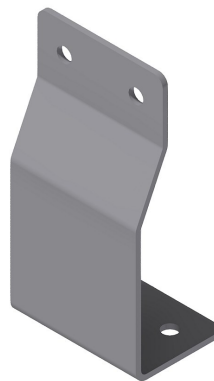
**Part.no 500-1235**



**Support bracket**

For all conveyor profiles  
Stainless steel  
Weight 315 g

**Part.no 500-1240**

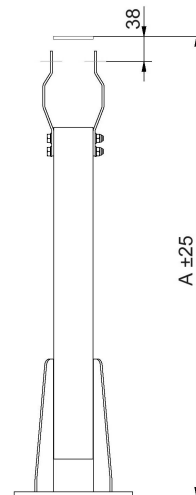


Series 5100

**Support stand**

For S520  
Stainless steel

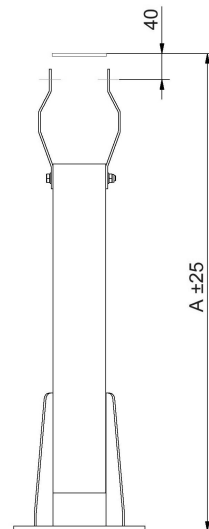
**Part.no 500-1351**



**Support stand**

For S530  
Stainless steel

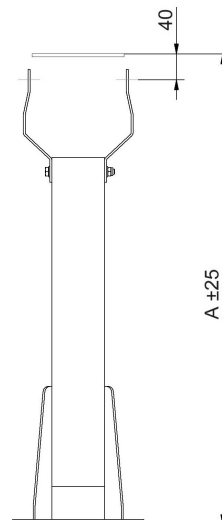
**Part.no 500-1341**



**Support stand**

For S540  
Stainless steel

**Part.no 500-1346**

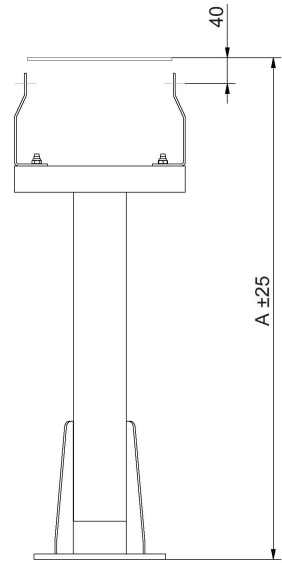


Series 5100

**Support stand**

For S560  
Stainless steel

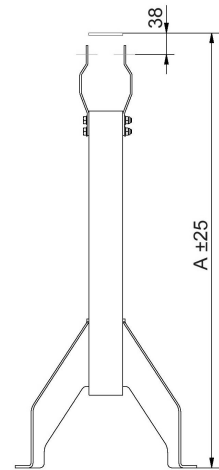
**Part.no 500-1349**



**Support stand**

For S520  
Stainless steel

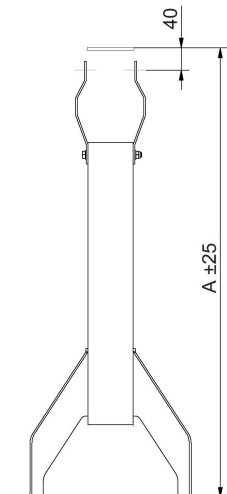
**Part.no 500-1380**



**Support stand**

For S530  
Stainless steel

**Part.no 500-1370**

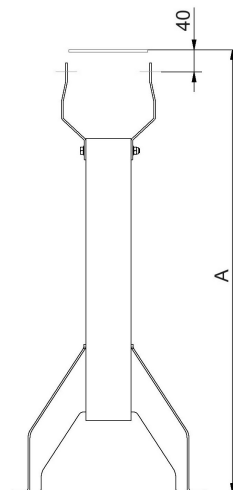


Series 5100

**Support stand**

For S540  
Stainless steel

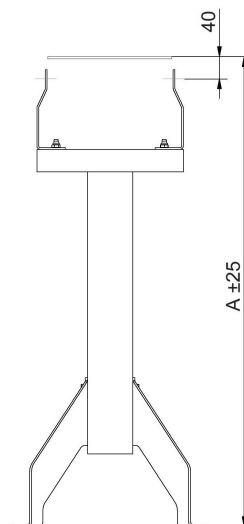
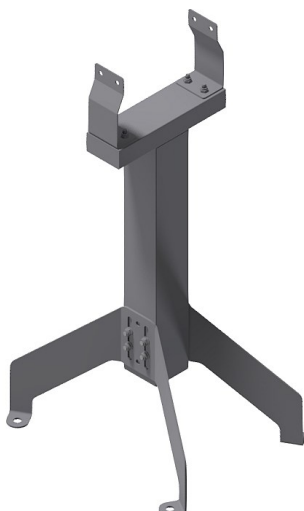
**Part.no 500-1375**



**Support stand**

For S560  
Stainless steel

**Part.no 500-1378**

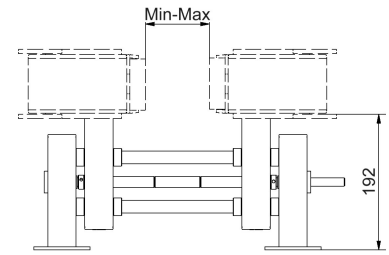
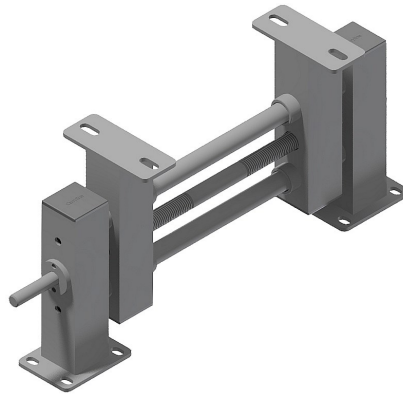


Series 5100

**Width adjustment actuator**

Width adjustment actuator for side grip conveyor  
 Stainless steel

Part.no	Width
<b>100-1400-0-100</b>	0-100 mm
<b>100-1400-0-150</b>	0-150 mm
<b>100-1400-0-200</b>	0-200 mm
<b>100-1400-0-250</b>	0-250 mm
<b>100-1400-0-300</b>	0-300 mm

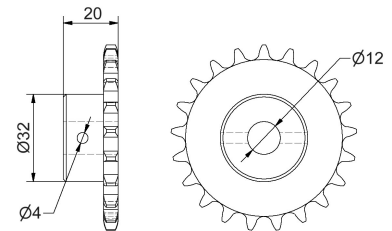


Enter width when ordering  
 Other widths on request

**Sprocket**

Sprocket for width adjustment actuator  
 21 teeth, white acetal

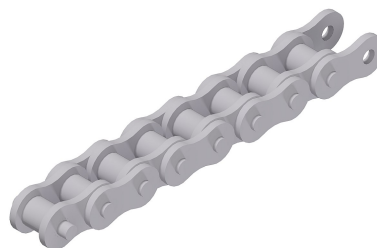
**Part.no 100-1420**



**Chain**

Chain 3/8 " for width adjustment  
 actuator  
 Nickel-plated steel chain  
 Enter length when ordering.  
 Complete with chain lock.

**Part.no 100-1430**



Chain lock

**Part.no 100-1432**

Semi-link

**Part.no 100-1434**

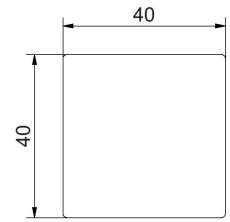
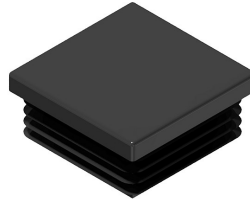


Series 5100

**End cap**

For 500-1010  
Black thermoplastic  
Weight 15 g

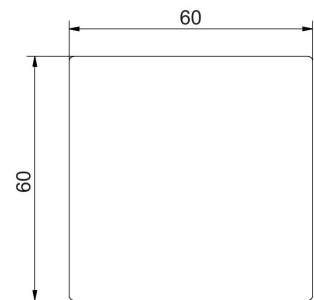
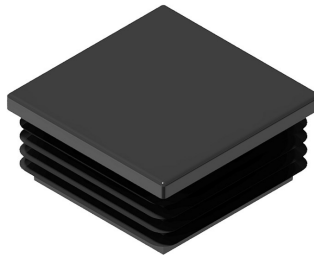
**Part.no 500-2010**



**End cap**

For 500-1015  
Black thermoplastic  
Weight 36 g

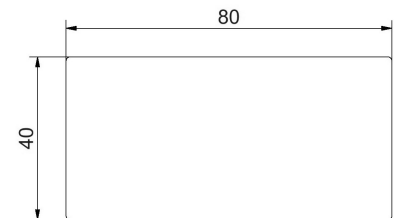
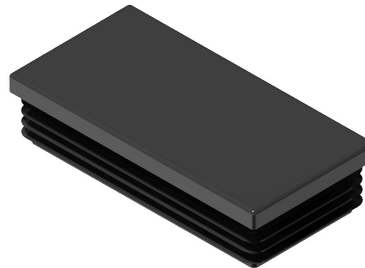
**Part.no 500-2040**



**End cap**

For 500-1020  
Black thermoplastic  
Weight 27 g

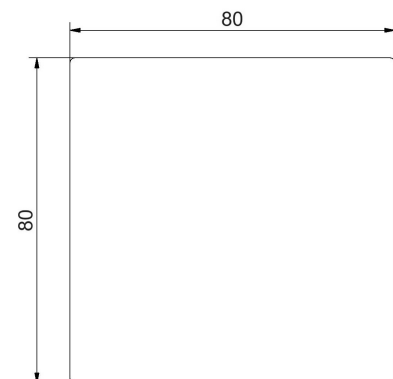
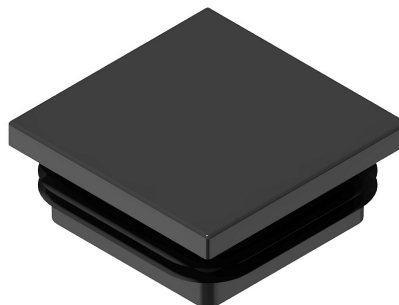
**Part.no 500-2020**



**End cap**

For 500-1030  
Black thermoplastic  
Weight 90 g

**Part.no 500-2030**



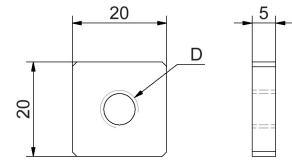
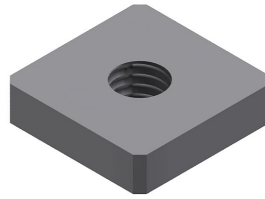
Series 5100

### Square nut

Stainless steel  
Weight 10 g

Square nut D= M6  
**Part.no 500-4370**

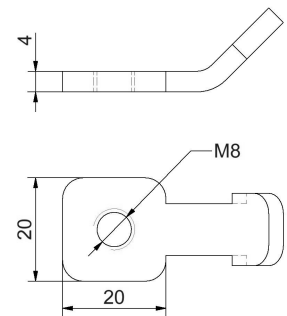
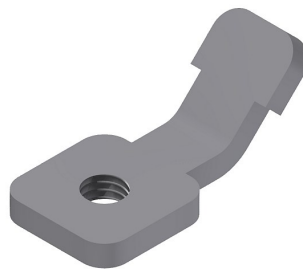
Square nut D= M8  
**Part.no 500-4380**



### Slot nut

Stainless steel  
Weight 20 g

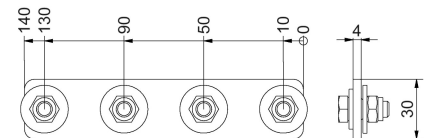
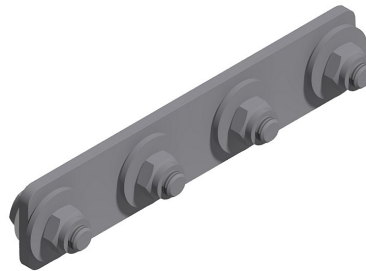
**Part.no 15321**



### Connecting strip

Connecting strip including stainless  
steel fasteners  
Weight 210 g

**Part.no 500-4320**





# S5200

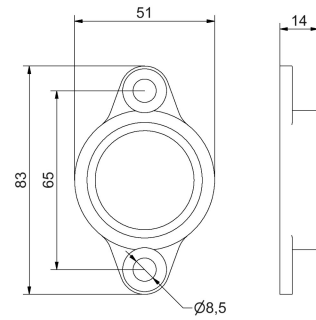


Series 5200

**Bearing house**

Bearing house for bearing 6004  
 Black reinforced nylon  
 Weight 15 g

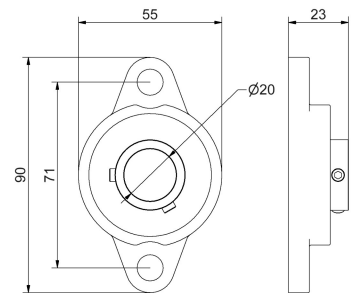
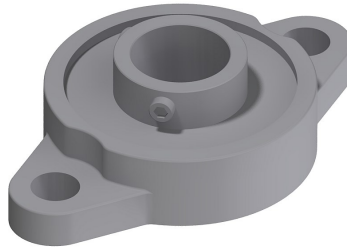
**Part.no 200-6050**



**Flange bearing UFL004 SS**

Cast stainless steel  
 Weight 229 g

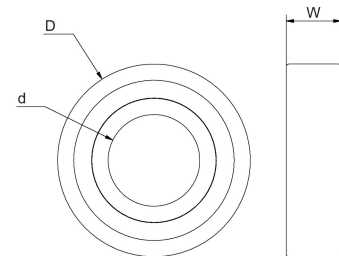
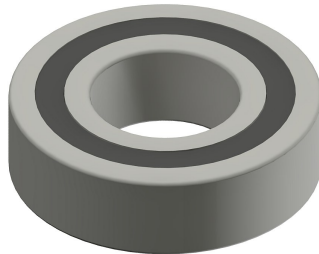
**Part.no 500-3290**



**Stainless steel ball bearing**

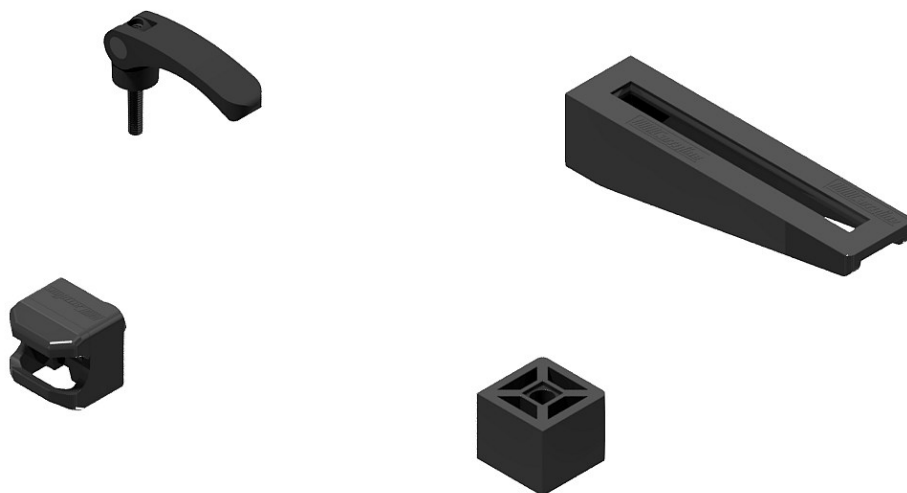
Stainless steel ball bearing with rubber seal

Part.no	d	D	W	Weight
SS6202-2RS	15	35	11	44 g
SS6003-2RS	17	35	10	39 g
SS6203-2RS	17	40	12	64 g
SS6004-2RS	20	42	12	66 g





# S5300



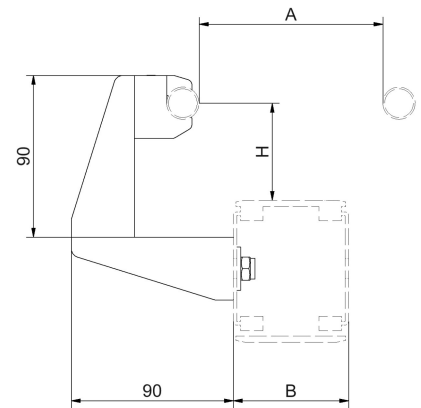
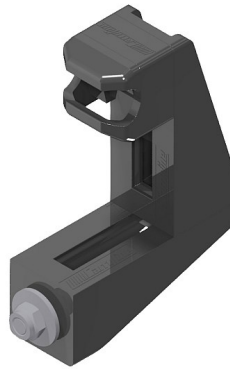
Series 5300

**Guide rail bracket**

Complete guide rail bracket including stainless steel fasteners  
 Black reinforced nylon  
 Weight 220 g

**Part.no 500-5300**

B	A MAX	H MAX
S520	100	50
S530	120	50
S540	180	50
S560	260	50

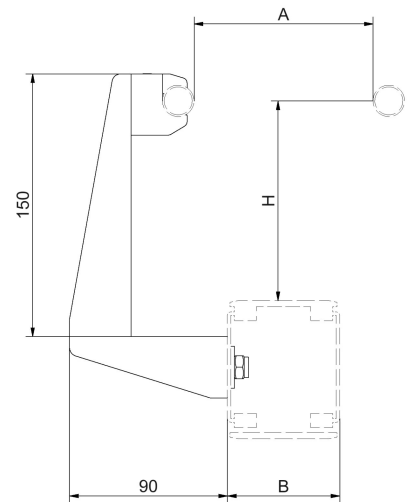
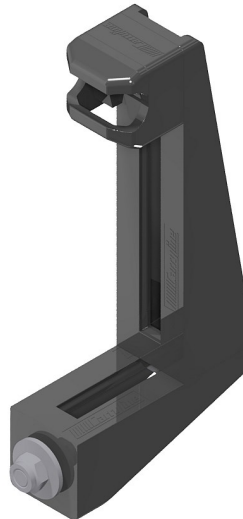


**Guide rail bracket**

Complete guide rail bracket including stainless steel fasteners  
 Black reinforced nylon  
 Weight 250 g

**Part.no 500-5320**

B	A MAX	H MAX
S520	100	110
S530	120	110
S540	180	110
S560	260	110

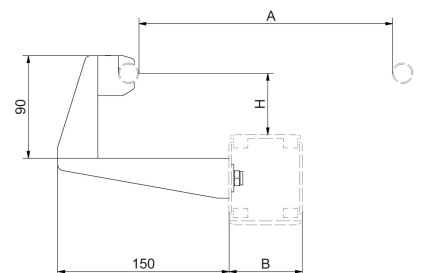
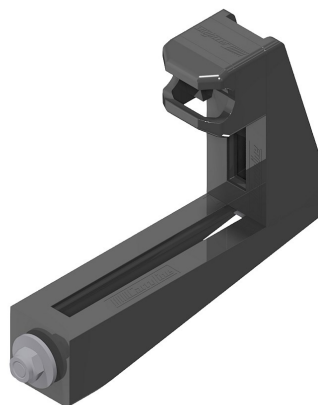


**Guide rail bracket**

Complete guide rail bracket including stainless steel fasteners  
 Black reinforced nylon  
 Weight 250 g

**Part.no 500-5340**

B	A MAX	H MAX
S520	220	50
S530	240	50
S540	300	50
S560	380	50

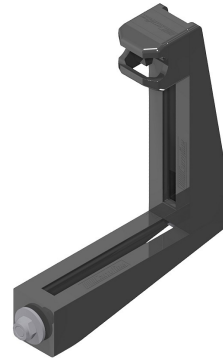


Series 5300

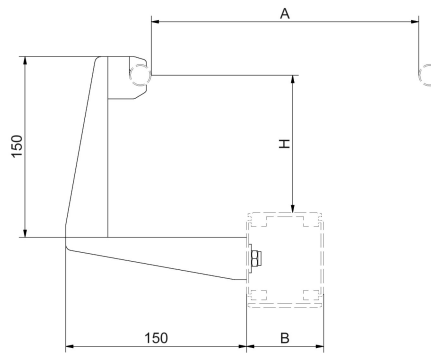
**Guide rail bracket**

Complete guide rail bracket including stainless steel fasteners  
 Black reinforced nylon  
 Weight 280 g

**Part.no 500-5360**



B	A MAX	H MAX
S520	220	110
S530	240	110
S540	300	110
S560	380	110



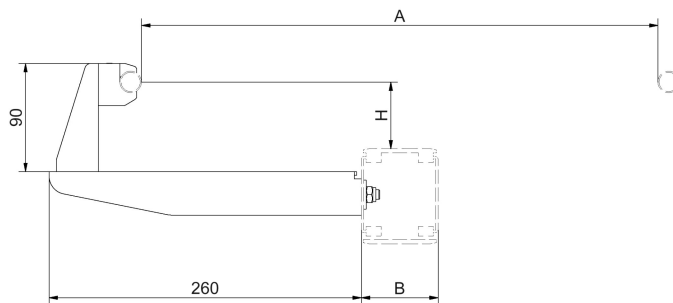
**Guide rail bracket**

Complete guide rail bracket including stainless steel fasteners  
 Black reinforced nylon and stainless steel  
 Weight 510 g

**Part.no 500-5370**



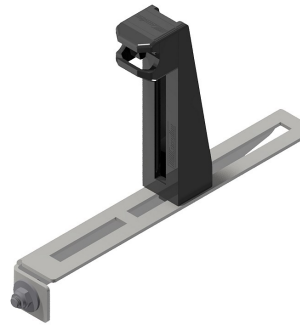
B	A MAX	H MAX
S520	435	50
S530	455	50
S540	515	50
S560	595	50



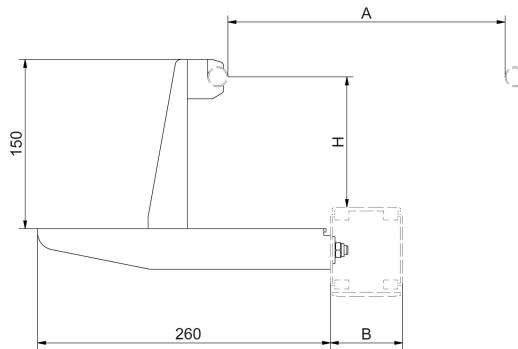
### Guide rail bracket

Complete guide rail bracket including stainless steel fasteners  
 Black reinforced nylon and stainless steel  
 Weight 540 g

**Part.no 500-5380**



B	A MAX	H MAX
S520	435	110
S530	455	110
S540	515	110
S560	595	110



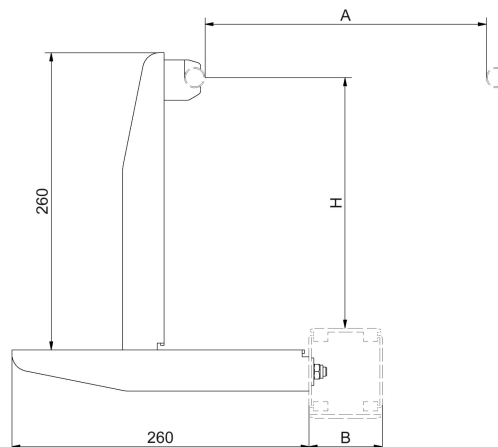
### Guide rail bracket

Complete guide rail bracket including stainless steel fasteners  
 Black reinforced nylon and stainless steel  
 Weight 830 g

**Part.no 500-5390**



B	A MAX	H MAX
S520	435	220
S530	455	220
S540	515	220
S560	595	220



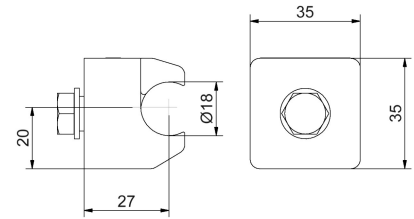


Series 5300

### Guide rail support

Black reinforced nylon and stainless steel fasteners  
Weight 55 g

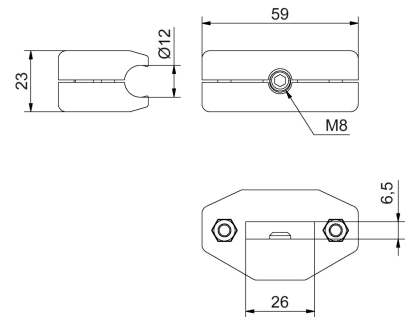
Part.no 500-6120



### Guide rail support

Black reinforced nylon and stainless steel fasteners  
Weight 50 g

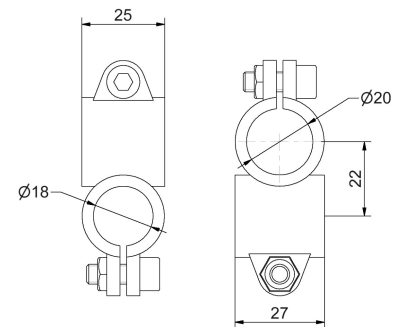
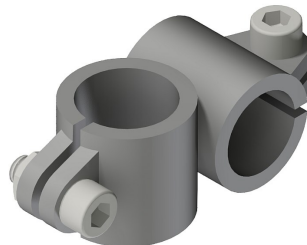
Part.no 500-6110



### Guide rail support

Black reinforced nylon and stainless steel fasteners  
Weight 35 g

Part.no 500-6150

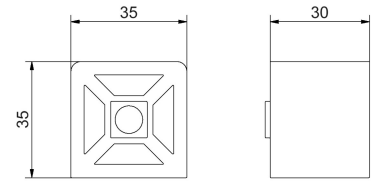
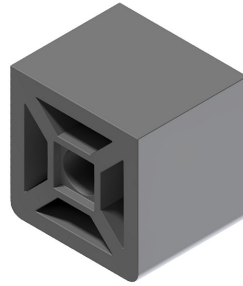


Series 5300

**Spacer**

For all angle bracket in nylon  
 Black reinforced nylon  
 Weight 40 g

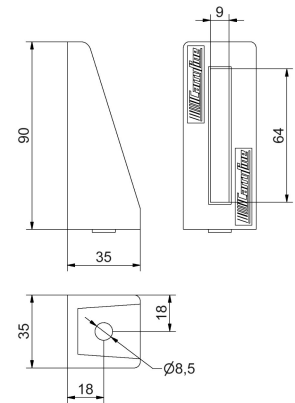
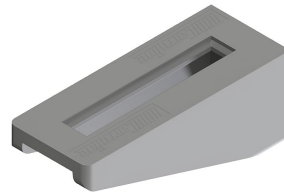
**Part.no 300-2030**



**Angle bracket**

Black reinforced nylon  
 Weight 58 g

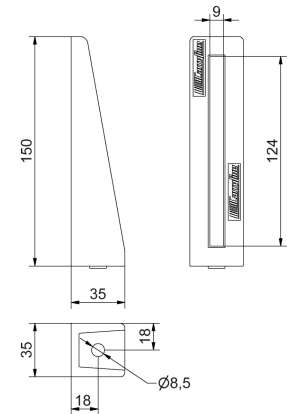
**Part.no 300-2090**



**Angle bracket**

Black reinforced nylon  
 Weight 90 g

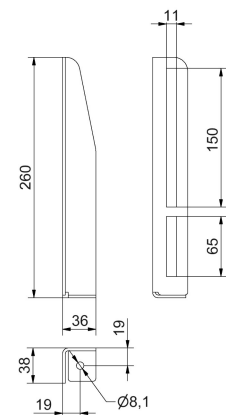
**Part.no 300-2150**



**Angle bracket**

Stainless steel  
 Weight 375 g

**Part.no 500-5460**

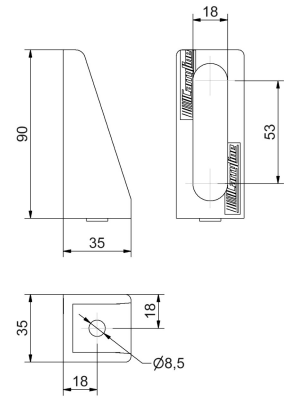


Series 5300

**Angle bracket**

Angle bracket for photocell  
Black acetal  
Weight 36 g

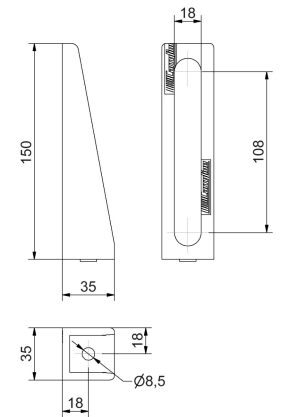
**Part.no 300-2900**



**Angle bracket**

Angle bracket for photocell  
Black acetal  
Weight 52 g

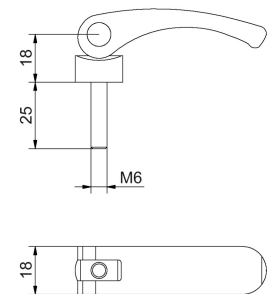
**Part.no 300-2910**



**Cam lever**

Black thermoplastic and stainless steel  
Weight 33 g

**Part.no 500-3312**



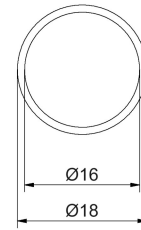
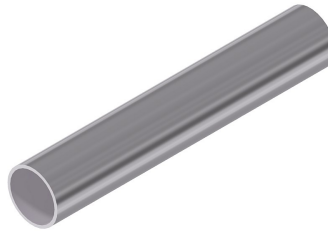
## Series 5300

**Guide rail**

Glossy polished stainless steel

Weight 440 g/m

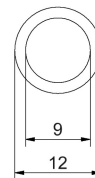
Length 6 m

**Part.no 500-6000****Guide rail**

Glossy polished stainless steel

Weight 400 g/m

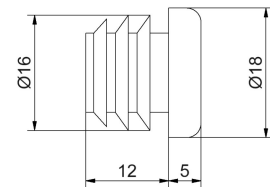
Length 6 m

**Part.no 500-6000****End cap**

For guide rail 500-6000

Black thermoplastic

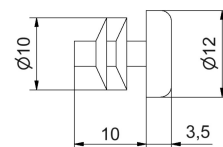
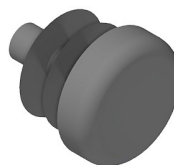
Weight 3 g

**Part.no 500-6200****End cap**

For guide rail 500-6005

Black thermoplastic

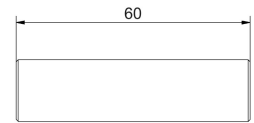
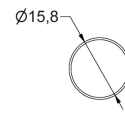
Weight 2 g

**Part.no 300-3085**

## Series 5300

**Connecting piece**

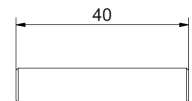
For guide rail 500-6000  
White acetal  
Weight 15 g



**Part.no 500-6250**

**Connecting piece**

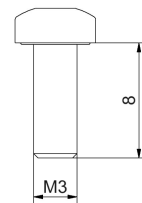
For guide rail 500-6005  
White acetal  
Weight 3 g



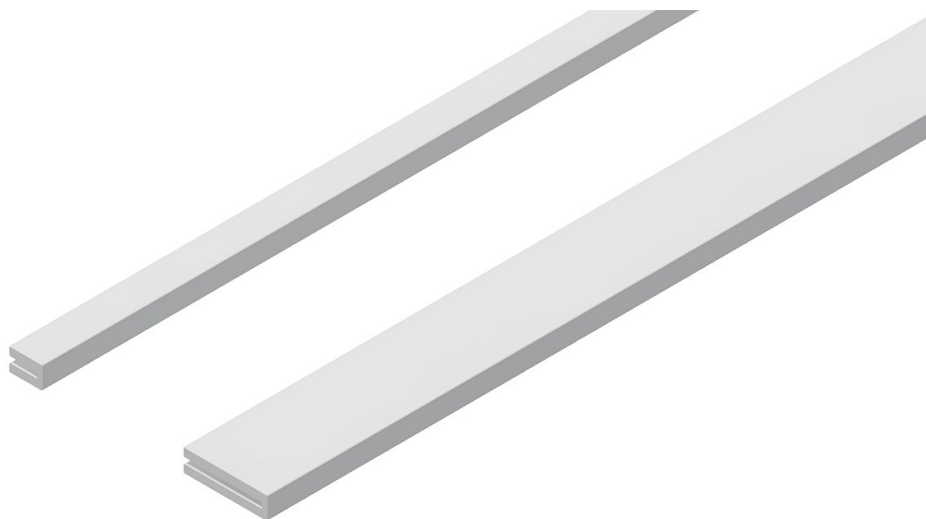
**Part.no 500-6255**

**Screw**

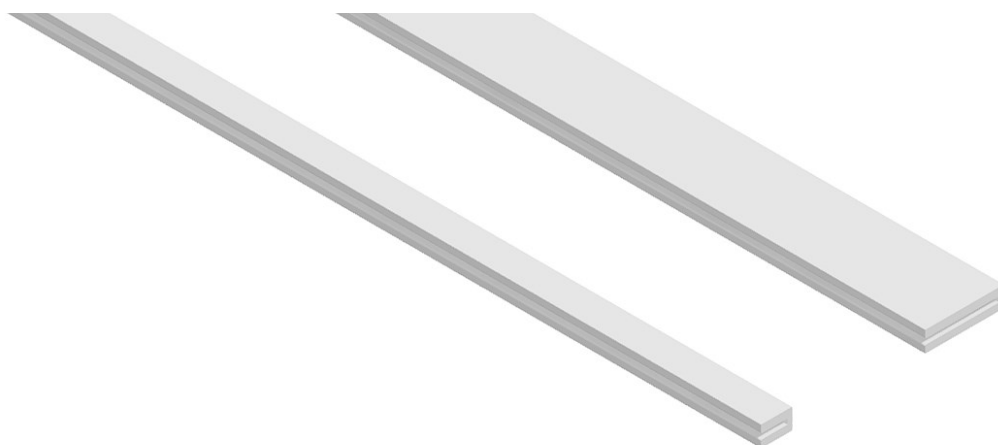
For connecting piece 500-6250 and  
500-6255  
Stainless steel  
Weight 2 g



**Part.no 500-6260**



**S5400**



Series 5400

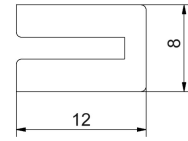
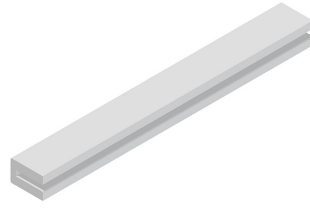
**Slide rail**

Slide rail for S520, S530, S540, S560

White nylon

Weight 80 g/m

Length 25 m



**Part.no 500-4000**

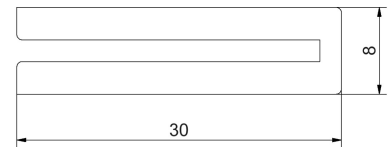
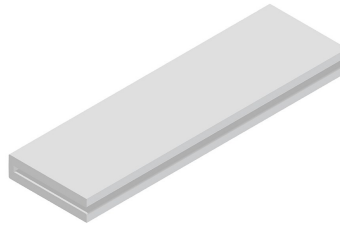
**Slide rail**

Slide rail for S540

White nylon

Weight 195 g/m

Length 25 m



**Part.no 500-4100**

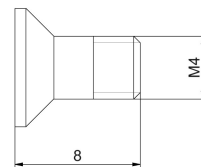
**Screw**

Screw for slide rail

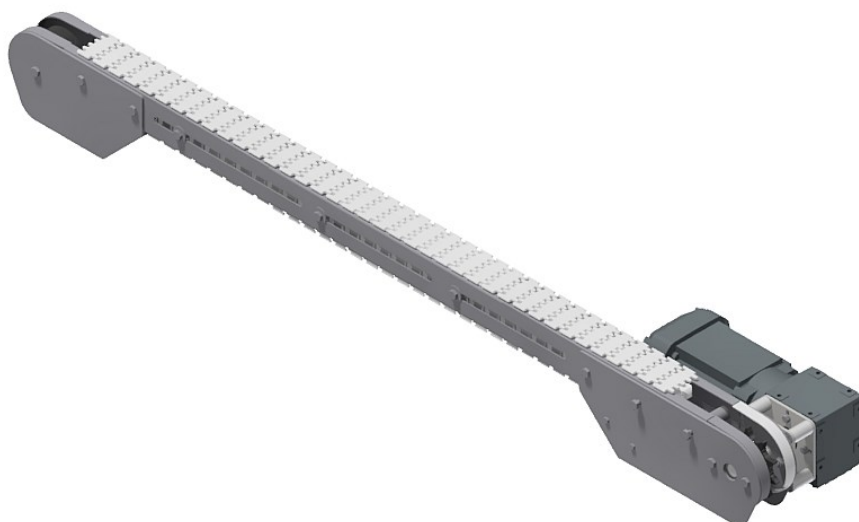
Screw with Allen socket 2.5

Stainless steel

Weight 1 g



**Part.no 500-4200**

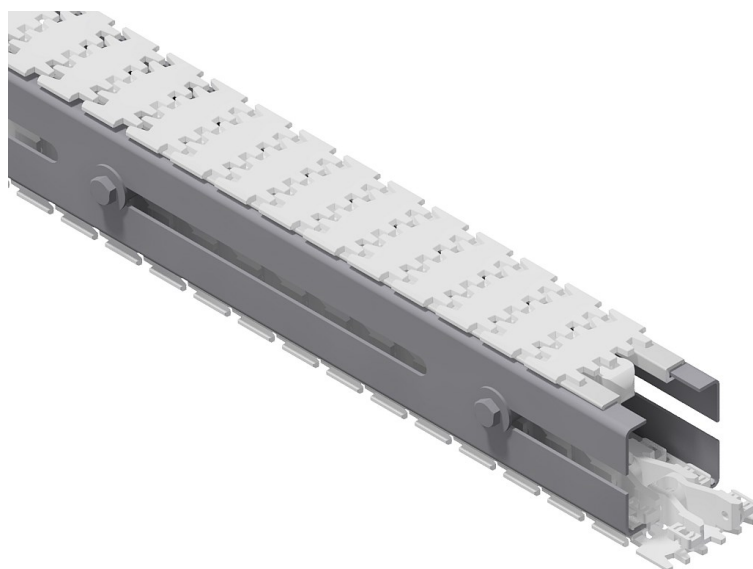


# S520





Series 520



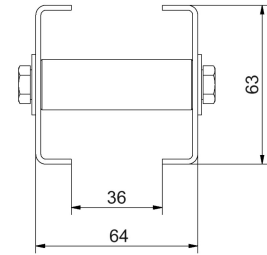
Technical specification S520	
Width of chain	62 mm
Chain pitch	30 mm
Width conveyor profile	64 mm
Height conveyor	78 mm
Radius conveyor chain on the drive and idler unit	70 mm
Max. permitted traction on the conveyor chain	500 N
Weight conveyor	≈ 5 kg/m **
Recommended maximum weight on conveyor	≈ 105 kg *
Recommended maximum load	≈ 10 kg/m *
Recommended maximum length of conveyor	≈ 20 m *
Recommended maximum speed	60 m/min
Minimum radius on horizontal bend	R 191 mm
Wheel curve radius	R 141 mm and R191
Vertical bend radius	R 400 mm and R 860 mm
Motor	0,18 - 0,47 kW
Noise level	< 70 dB (A)
Chain material	Acetal
Conveyor profile material	Stainless steel
* Recommended maximum length depends on the design, load and number of bends.	
** The weight of the conveyor depends on which type of chain, guide rail and guide rail bracket.	

Series 520

### Conveyor profile S520

Stainless steel  
Weight 2800 g/m  
Length 2,48 m

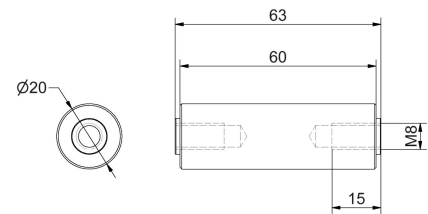
Part.no 520-1000



### Spacer

For 520-1000  
Stainless steel  
Weight 150 g

Part.no 520-1030



Including stainless steel fasteners  
Part.no 520-1035

## Series 520

**Conveyor chain S620**

Acetal, nylon and stainless steel.

Standard version top flights are made of white acetal which is food approved  
Allowed traction force 500 N.

On request, chain and top flight can be delivered in non-standard material.  
Enter the following additional letter.

**L** = Low friction

**V** = Heat resistance

**A** = Antistatic

**F** = Flocked

Order example 620-2000L

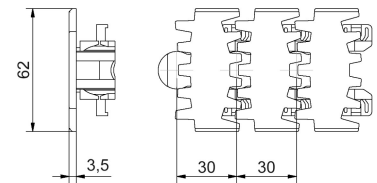
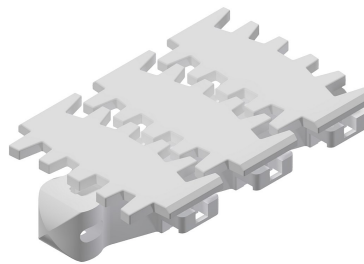
**Finger chain**

Slat standard chain for S620 and S520

Weight 760 g/m

Qty 33 pcs/m

**Part no. 620-2000**



Link for standard chain

Weight 17 g

**Part no. 620-2001**

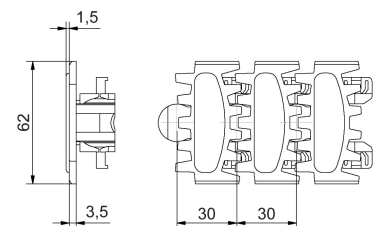
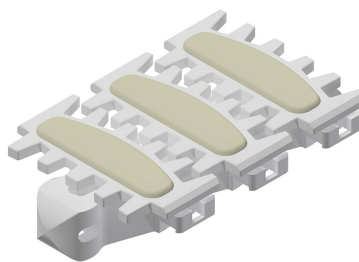
**Finger chain friction**

Standard chain with friction for S620  
and S520

Weight 770 g/m

Qty 33 pcs/m

**Part no. 620-2010**



Link for friction chain

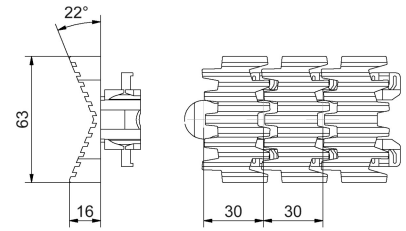
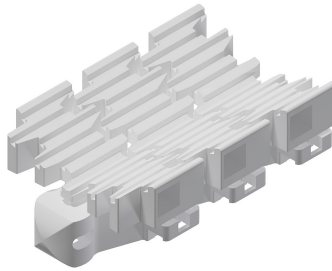
Weight 18 g

**Part no. 620-2011**

Series 520

**V-chain**

For S620 and S520  
 Weight 880 g/m  
 Qty 33 pcs/m

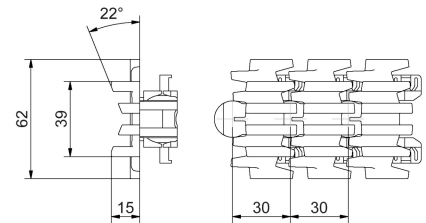
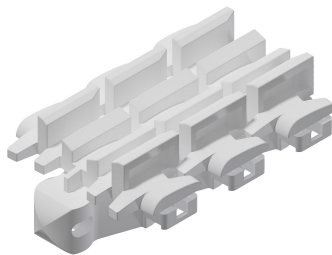


**Part.no 620-2130**

Link for v-chain  
 Weight 25 g  
**Part.no 620-2131**

**V-chain**

For S620 and S520  
 Weight 890 g/m  
 Qty 33 pcs/m

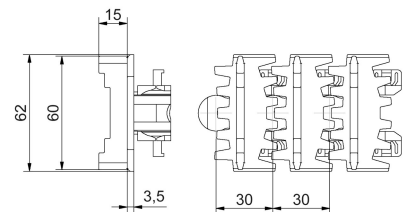
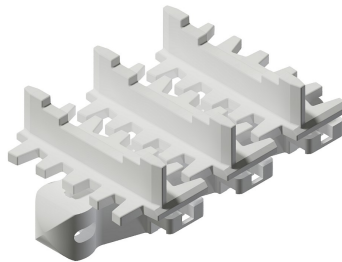


**Part.no 620-2135**

Link for v-chain  
 Weight 23 g  
**Part.no 620-2136**

**Chain with carrier**

For S620 and S520  
 Weight 880 g/m  
 Qty 33 pcs/m

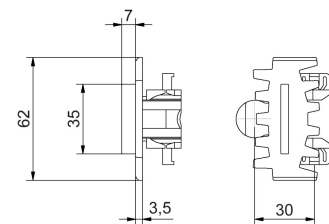
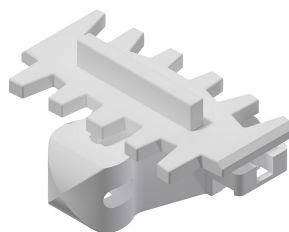


**Part.no 620-2067**

Link for carrier chain  
 Weight 21 g  
**Part.no 620-2068**

**Link with carrier**

For S620 and S520  
 Weight 19 g



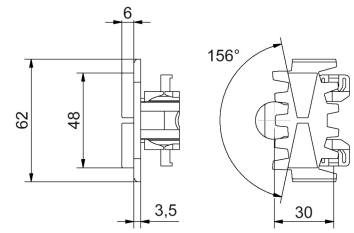
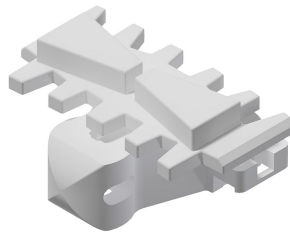
**Part.no 620-2065**

Series 520

**Link with carrier**

For S620 and S520  
Weight 21 g

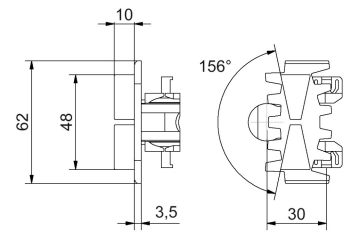
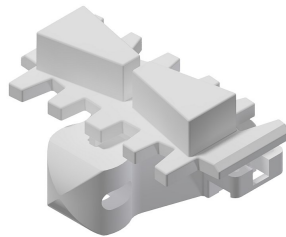
**Part.no 620-2179**



**Link with carrier**

For S620 and S520  
Weight 24 g

**Part.no 620-2189**



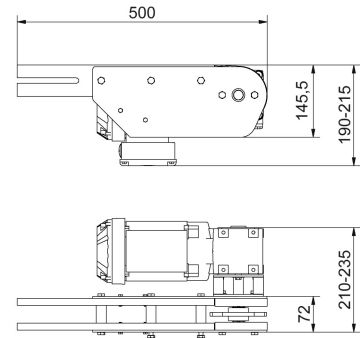
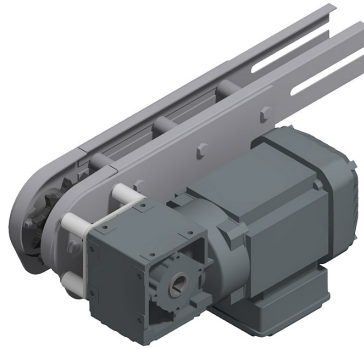
Series 520

**520-30**

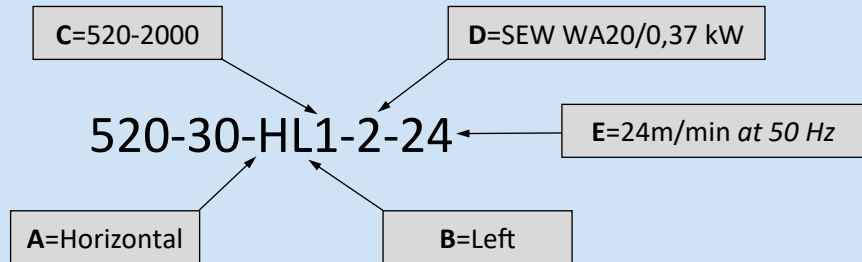
Drive unit with direct transmission S520. IP55 and stainless steel hollow shaft. Configuration of default drive with direct transmission **520-30-ABC-D-E**.

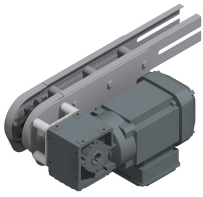
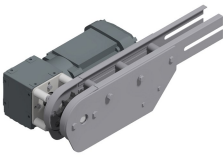
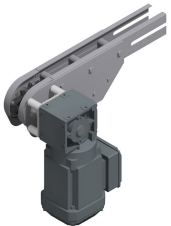
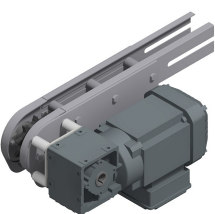
If needed, roller transfers and brackets can be found on page 35.

Weight without motor 6000 g  
Weight with motor 13000-19000 g



Order example



<b>A:</b> <u>Assembly position</u>	<b>B:</b> <u>Placement</u>	<b>C:</b> <u>Conveyor chain</u>	<b>D:</b> <u>Motor/gear</u> <u>Power</u>	<b>E:</b> <u>Speed m/min</u> <u>at 50 Hz</u>
<b>H:</b> Horizontal 	<b>R:</b> Right 	<b>1:</b> 620-2000 620-2010	<b>1:</b> SEW WA20 0,25 kW	8    18    34 10    20    47 12    25    59 15    29
		<b>2:</b> 620-2189 620-2179		<b>2:</b> SEW WA20 0,37 kW
<b>V:</b> Vertical 	<b>L:</b> Left 	<b>3:</b> 620-2065 620-2135	<b>3:</b> SEW WA30 0,37 kW	6    15    30 8    18    34 10    20    48 12    25    59
		<b>4:</b> 620-2130		
				<b>W</b> Without motor/gear. Assembly position and shaft prepared for selected place- ment. More options →

Series 520

Cont. 520-30

<b>D:</b> <b>Motor/gear</b> <b>Power</b>	<b>E:</b> <b>Speed m/min</b> <b>at 50 Hz</b>		
<b>5:</b> SEW SA37 0,37 kW	8 10 13 16	19 25 27 31	36
<b>6:</b> Lenze G500-B45 0,18 kW	13 15 17 19	21 25 28 31	36 41 45 52
<b>7:</b> Lenze G500-B110 0,18 kW	8 10 12 15	19 21 25 33	38 41
<b>8:</b> Lenze G500-B45 0,25 kW	19 22 25 28	32 36 41 46	52
<b>9:</b> Lenze G500-B110 0,25 kW	11 12 15 19	21 25 27 31	38 42 46 52
<b>10:</b> Lenze G500-B45 0,37 kW	28 32 37 42	47 54	

<b>D:</b> <b>Motor/gear</b> <b>Power</b>	<b>E:</b> <b>Speed m/min</b> <b>at 50 Hz</b>		
<b>11:</b> Lenze G500-B110 0,37 kW	11 13 16 20	22 25 28 32	34 39 43 47
<b>14:</b> Lenze Smart Motor G500-B45 max 0,47 kW	Adjustable speed 6-31 m/min		
<b>15:</b> Lenze Smart Motor G500-B45 max 0,47 kW	Adjustable speed 10-50 m/min		
	<b>W</b> Without motor/gear. Assembly position and shaft prepared for selected place- ment.		

If needed, roller transfers and brackets can be found on page 35.

## Series 520

### Cont. 520-30

#### Bracket for roller transfer and connecting strip between conveyors

The following configuration is listed on order number 520-30-ABC-D-E- **with one additional letter**.

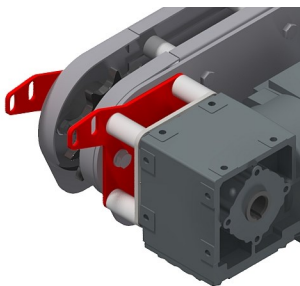
**A** = 500-3117L/R and 500-7112.

**B** = 500-3119L/R and 500-7120.

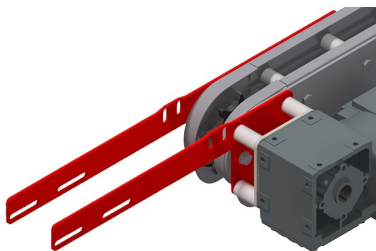
**C** = 500-3118L/R and 500-7130, 7 mm level difference.

Order example: 520-30-HL1-2-24-**A**

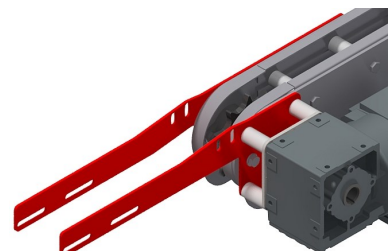
**A**



**B**



**C**



#### Bracket for roller transfer and connecting strip including roller transfer

The following configuration is listed on the existing order number 520-30-ABC-D-E- **with two extra letters**.

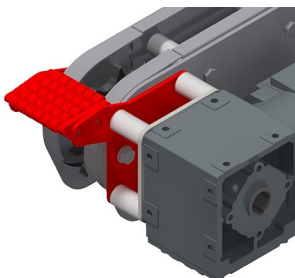
**AR** = 500-3117L/R, 500-7112 and 500-7000.

**BR** = 500-3119L/R, 500-7120 and 500-7000.

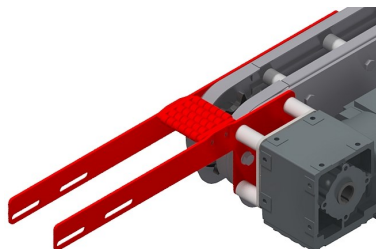
**CR** = 500-3118L/R, 500-7130 and 500-7000, 7 mm level difference.

Order example: 520-30-HL1-2-24-**AR**

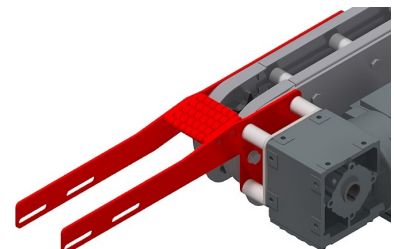
**AR**



**BR**



**CR**



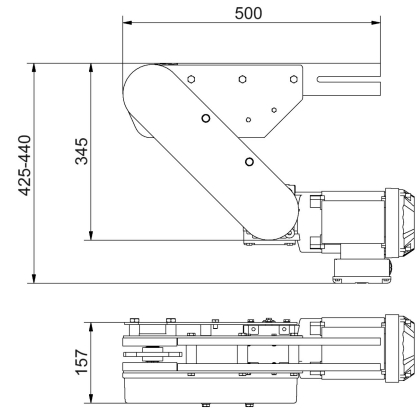
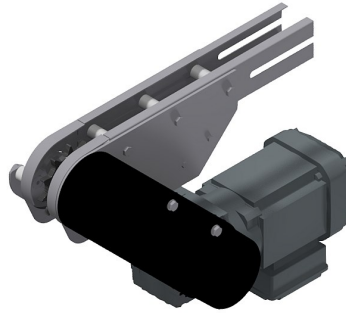


Series 520

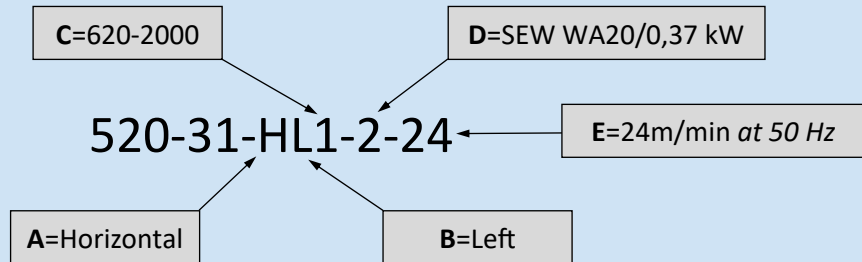
**520-31**


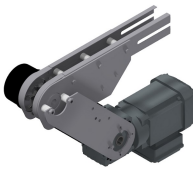
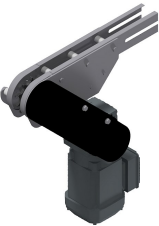
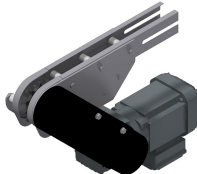
Drive unit with suspended motor with timing belt transmission S520. IP55 and stainless steel hollow shaft. Configuration of default drive unit **520-31-ABC-D-E**.

If needed, roller transfers and brackets can be found on page 38.



Order example



<b>A:</b> <u>Assembly position</u>	<b>B:</b> <u>Placement</u>	<b>C:</b> <u>Conveyor chain</u>	<b>D:</b> <u>Motor/gear</u> <u>Power</u>	<b>E:</b> <u>Speed m/min</u> <u>at 50 Hz</u>
<b>H:</b> Horizontal 	<b>R:</b> Right 	<b>1:</b> 620-2000 620-2010	<b>1:</b> SEW WA20 0,25 kW	8    18    34 10    20    47 12    25    59 15    29
		<b>2:</b> 620-2189 620-2179		<b>2:</b> SEW WA20 0,37 kW
<b>V:</b> Vertical 	<b>L:</b> Left 	<b>3:</b> 620-2065 620-2135	<b>3:</b> SEW WA30 0,37 kW	6    15    30 8    18    34 10    20    48 12    25    59
		<b>4:</b> 620-2130		
				<b>W</b> Without motor/gear. Assembly position and shaft prepared for selected place- ment. More options →

Series 520

Cont. 520-31

<b>D:</b> <u>Motor/gear</u> <u>Power</u>	<b>E:</b> <u>Speed m/min</u> <u>at 50 Hz</u>		
<b>5:</b> SEW SA37 0,37 kW	8 10 13 16	19 25 27 31	36
<b>6:</b> Lenze G500-B45 0,18 kW	13 15 17 19	21 25 28 31	36 41 45 52
<b>7:</b> Lenze G500-B110 0,18 kW	8 10 12 15	19 21 25 33	38 41
<b>8:</b> Lenze G500-B45 0,25 kW	19 22 25 28	32 36 41 46	52
<b>9:</b> Lenze G500-B110 0,25 kW	11 12 15 19	21 25 27 31	38 42 46 52
<b>10:</b> Lenze G500-B45 0,37 kW	28 32 37 42	47 54	

<b>D:</b> <u>Motor/gear</u> <u>Power</u>	<b>E:</b> <u>Speed m/min</u> <u>at 50 Hz</u>		
<b>11:</b> Lenze G500-B110 0,37 kW	11 13 16 20	22 25 28 32	34 39 43 47
<b>14:</b> Lenze Smart Motor G500-B45 max 0,47 kW	Adjustable speed 6-31 m/min		
<b>15:</b> Lenze Smart Motor G500-B45 max 0,47 kW	Adjustable speed 10-50 m/min		
	<b>W</b> Without motor/gear. Assembly position and shaft prepared for selected place- ment.		

If needed, roller transfers and brackets can be found on page 38.

## Series 520

### Cont. 520-31

#### Bracket for roller transfer and connecting strip between conveyors

The following configuration is listed on order number 520-31-ABC-D-E- **with one additional letter**.

**A** = 500-7112.

**B** = 500-7120.

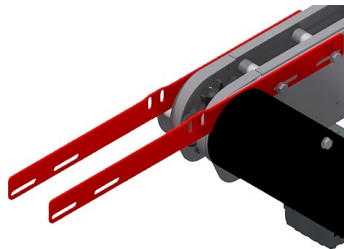
**C** = 500-7130, 7 mm level difference.

Order example: 520-31-HL1-2-24-A

**A**



**B**



**C**



#### Bracket for roller transfer and connecting strip including roller transfer

The following configuration is listed on the existing order number 520-31-ABC-D-E- **with two extra letters**.

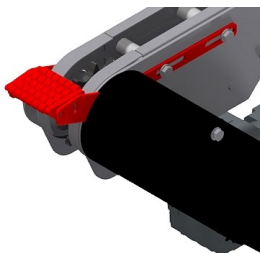
**AR** = 500-7112 and 500-7000.

**BR** = 500-7120 and 500-7000.

**CR** = 500-7130 and 200-7000, 7 mm level difference.

Order example: 520-31-HL1-2-24-AR

**AR**



**BR**



**CR**

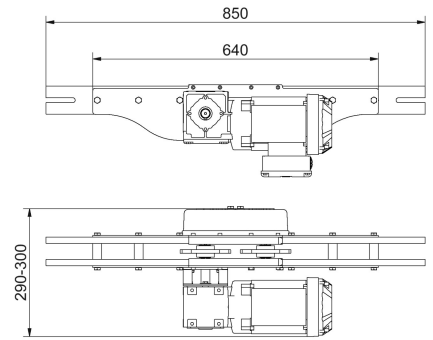
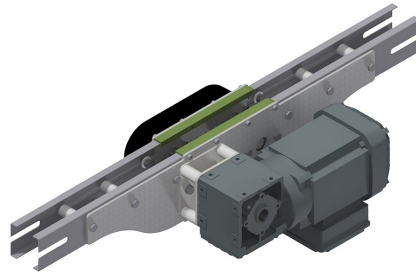


Series 520

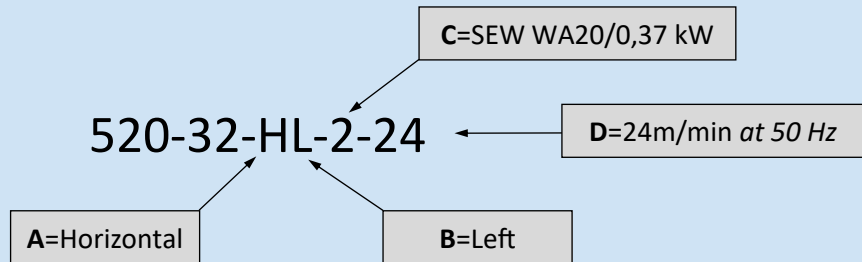
**520-32**

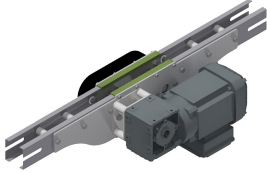
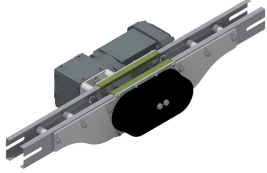
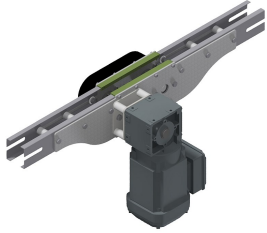
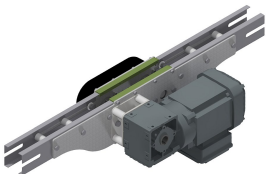
Drive unit with intermediate motor and returnchain S520.  
IP55 and stainless steel hollow shaft.  
Configuration of default drive unit  
**520-32-AB-C-D.**

Use 520-4055 as front idler unit.



Order example



<b>A:</b> <u>Assembly position</u>	<b>B:</b> <u>Placement</u>	<b>C:</b> <u>Motor/gear</u> <u>Power</u>	<b>D:</b> <u>Speed m/min</u> <u>at 50 Hz</u>		
<b>H: Horizontal</b>  	<b>R: Right</b>  	<b>1:</b> SEW WA20 0,25 kW	8	18	34
			10	20	47
<b>V: Vertical</b>  	<b>L: Left</b>  	<b>2:</b> SEW WA20 0,37 kW	12	25	59
			15	29	
		<b>3:</b> SEW WA30 0,37 kW	18	34	
			20	48	
			25	59	
			30		
			6	15	30
			8	18	34
			10	20	48
			12	25	59
			<b>W</b> Without motor/gear. Assembly position and shaft prepared for selected place- ment. More options →		

Series 520

Cont. 520-32

<b>C:</b> <b>Motor/gear</b> <b>Power</b>	<b>D:</b> <b>Speed m/min</b> <b>at 50 Hz</b>		
<b>5:</b> SEW SA37 0,37 kW	8 10 13 16	19 25 27 31	36
<b>6:</b> Lenze G500-B45 0,18 kW	13 15 17 19	21 25 28 31	36 41 45 52
<b>7:</b> Lenze G500-B110 0,18 kW	8 10 12 15	19 21 25 33	38 41
<b>8:</b> Lenze G500-B45 0,25 kW	19 22 25 28	32 36 41 46	52
<b>9:</b> Lenze G500-B110 0,25 kW	11 12 15 19	21 25 27 31	38 42 46 52
<b>10:</b> Lenze G500-B45 0,37 kW	28 32 37 42	47 54	

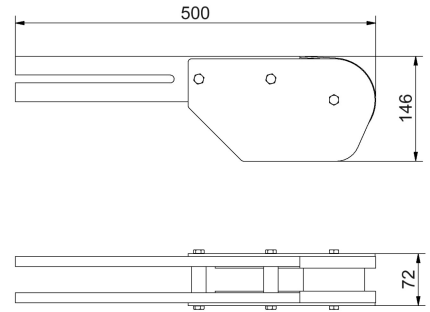
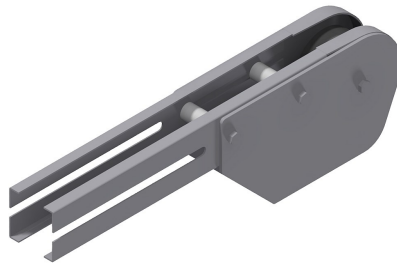
<b>C:</b> <b>Motor/gear</b> <b>Power</b>	<b>D:</b> <b>Speed m/min</b> <b>at 50 Hz</b>		
<b>11:</b> Lenze G500-B110 0,37 kW	11 13 16 20	22 25 28 32	34 39 43 47
<b>14:</b> Lenze Smart Motor G500-B45 max 0,47 kW	Adjustable speed 6-31 m/min		
<b>15:</b> Lenze Smart Motor G500-B45 max 0,47 kW	Adjustable speed 10-50 m/min		
	<b>W</b> Without motor/gear. Assembly position and shaft prepared for selected place- ment.		

Series 520

### Idler unit

Standard idler unit for S520  
Weight 3600 g

Part.no 520-4000



### Bracket for roller transfer and bracket including roller transfer

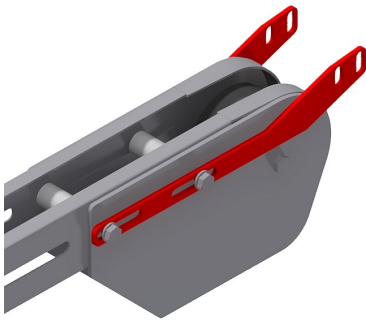
The following configuration is listed on the existing order number 520-4000- with **one/or two additional letter**.

**A** = 500-7111

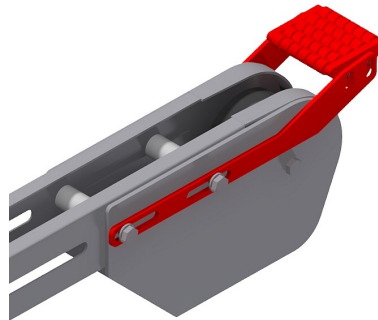
**AR** = 500-7111 and 500-7000

Order example: 520-4000-A

A



AR



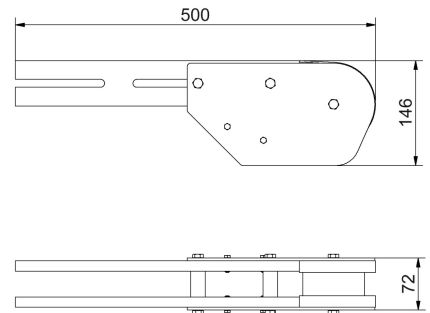
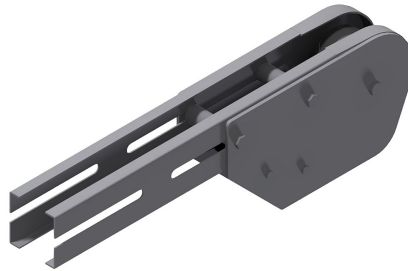
Series 520

**Idler unit**

Used as front idler unit for conveyor where drive unit 520-32 is included.  
Configuration of idler unit

**Part.no 520-4055-A**

If needed, roller transfers and brackets can be found on page 43.



**Order example**

520-4055-1

A=620-2000

**A:**

**Conveyor chain**

1:	2:	3:	4:
620-2000 620-2010	620-2189 620-2179	620-2065 620-2135	620-2130

## Series 520

### Cont. 520-4055-A

#### Bracket for roller transfer and connecting strip between conveyors

The following configuration is listed on order number 520-4055-A- **with one additional letter**.

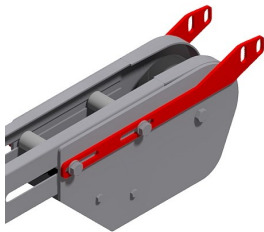
**A** = 500-7112.

**B** = 500-7120.

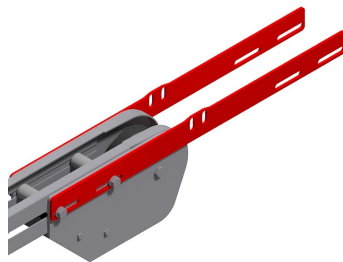
**C** = 500-7130, 7 mm level difference.

Order example: 520-4055-1-A

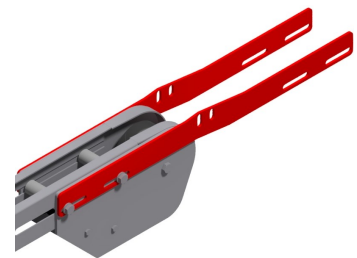
**A**



**B**



**C**



#### Bracket for roller transfer and connecting strip including roller transfer

The following configuration is listed on the existing order number 520-4055-A- **with two extra letters**.

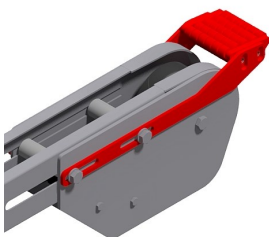
**AR** = 500-7112 and 500-7000.

**BR** = 500-7120 and 500-7000.

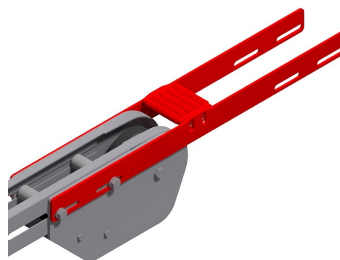
**CR** = 500-7130 and 500-7000, 7 mm level difference.

Order example: 520-4055-1-AR

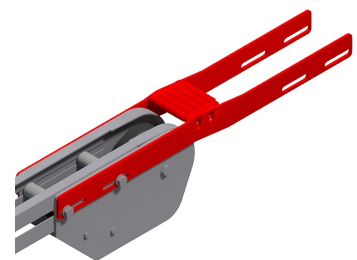
**AR**



**BR**



**CR**





Series 520

**Wheel bend**

Standard wheel bend S520 with R141 mm  
Stainless steel and wheel in plastic

Configuration of default wheel bend  
**Part.no 520-5025-A**

A= angle on bend

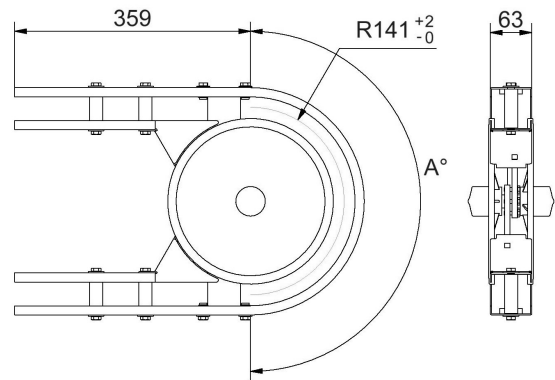
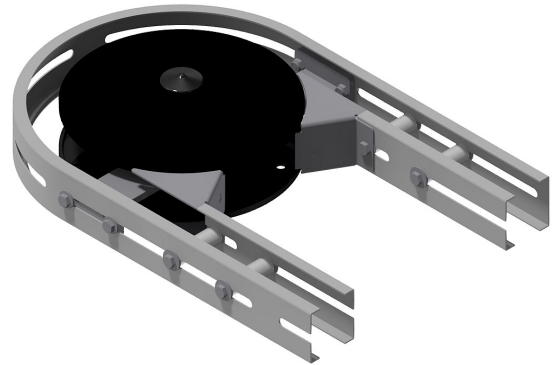
Standard angles for R141
A = 45°
A = 90°
A = 180°

Other angles are manufactured on request  
Conneting strip 500-4320 is ordered separately

Order exeample

**520-5025-45**

A= 45°



Series 520

**Wheel bend**

Standard wheel bend S520 with R191 mm  
Stainless steel and wheel in plastic

Configuration of default wheel bend  
**Part.no 520-5055-A**

A= angle on bend

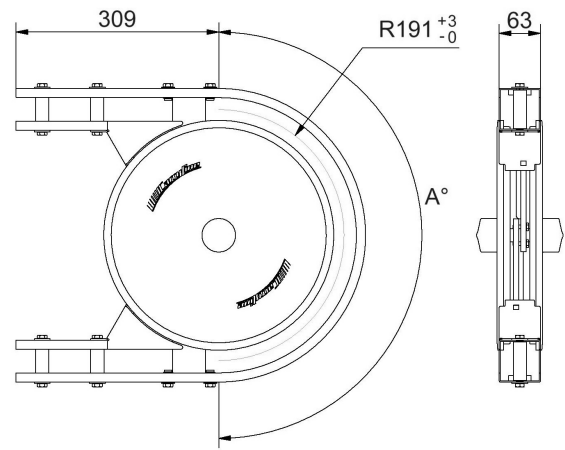
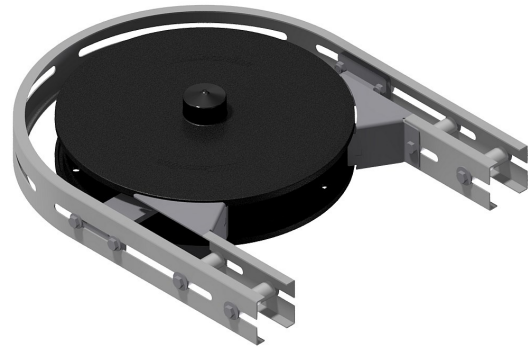
Standard angles for R191
A = 45°
A = 90°
A = 180°

Other angles are manufactured on request  
Conneting strip 500-4320 is ordered separately

Order exeample

**520-5055-45**

A= 45°

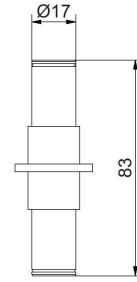


Series 520

**Shaft**

For wheel bend R141  
Stainless steel  
Weight 145 g

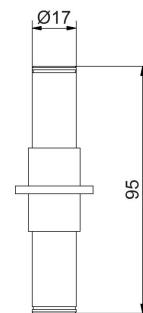
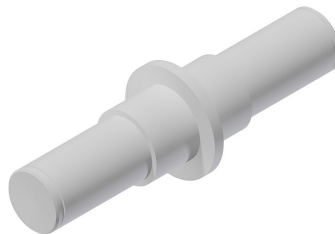
**Part.no 14261\_3**



**Shaft**

For wheel bend R191  
Stainless steel  
Weight 165 g

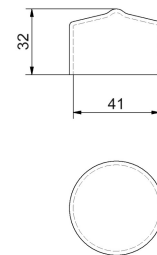
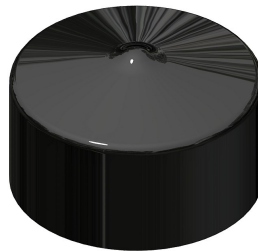
**Part.no 14261\_2**



**Plastic cover**

For disc Ø252  
Black PVC  
Weight 11 g

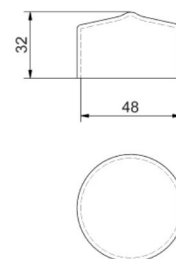
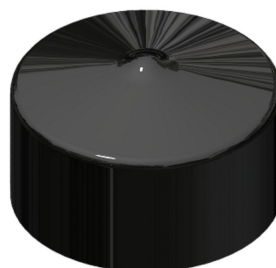
**Part.no 830-5031**



**Plastic cover**

For disc Ø350  
Black PVC  
Weight 15 g

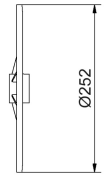
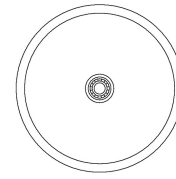
**Part.no 830-5062**



## Series 520

**Disc**

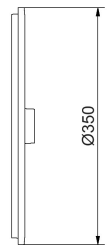
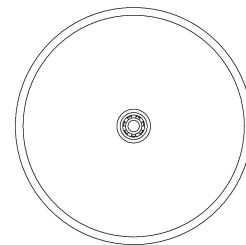
Upper disc for wheel bend R141  
Complete with bearing SS6203-2RS  
Black nylon  
Weight 335 g



**Part.no 530-5027**

**Disc**

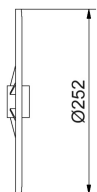
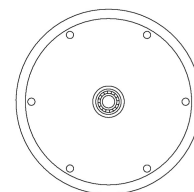
Upper disc for wheel bend R191  
Complete with bearing SS6203-2RS  
Black nylon  
Weight 825 g



**Part.no 530-5060**

**Disc**

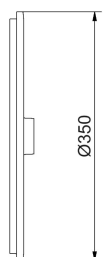
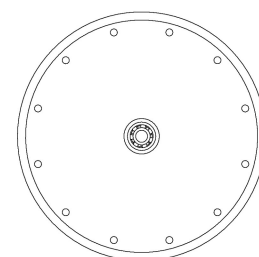
Lower disc for wheel bend R141  
Complete with bearing SS6203-2RS  
Black nylon  
Weight 320 g



**Part.no 17589**

**Disc**

Lower disc for wheel bend R191  
Complete with bearing SS6203-2RS  
Black nylon  
Weight 800 g



**Part.no 17590**

Series 520

**Plain bend**

Standard plain bend S520  
Stainless steel

Plain bend configuration  
**Part.no 520-5375-A-B**

A= bend radius

B= angle on bend

The following radius and angles are standard

A = Radius	B = Angle
191 mm	15°, 30°, 45°, 90°, 180°
289 mm	15°, 30°, 45°, 90°, 180°
389 mm	15°, 30°, 45°, 90°, 180°
489 mm	15°, 30°, 45°, 90°, 180°
589 mm	15°, 30°, 45°, 90°, 180°

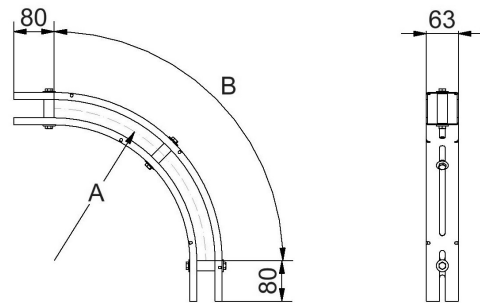
Other radius and angles are manufactured on request

Order example

**520-5375-389-90**

A= 389 mm

B= 90°



Series 520

### Vertical bend

Standard vertical bend R400  
Stainless steel

Vertical bend configuration  
**Part.no 520-5645-A**

A= angle on bend

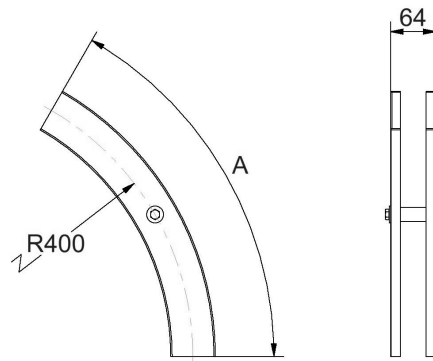
Standard angles for R400
A = 10°
A = 15°
A = 20°
A = 30°
A = 45°
A = 60°
A = 90°

Other radius and angles are manufactured on request  
Minimum 10°

Order example

520-5645-45

A= 45°



Series 520

### Vertical bend

Standard vertical bend R860  
Stainless steel

Vertical bend configuration  
**Part.no 520-5695-A**

A= angle on bend

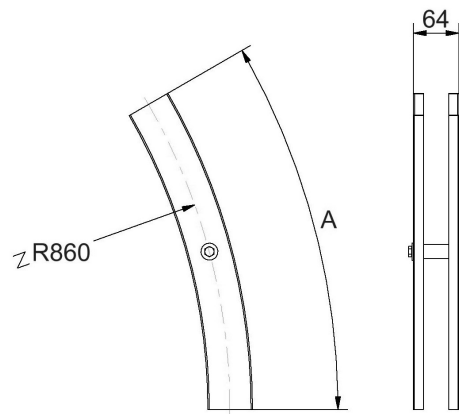
Standard angles for R860
A = 5°
A = 10°
A = 15°
A = 20°
A = 30°
A = 45°
A = 60°
A = 90°

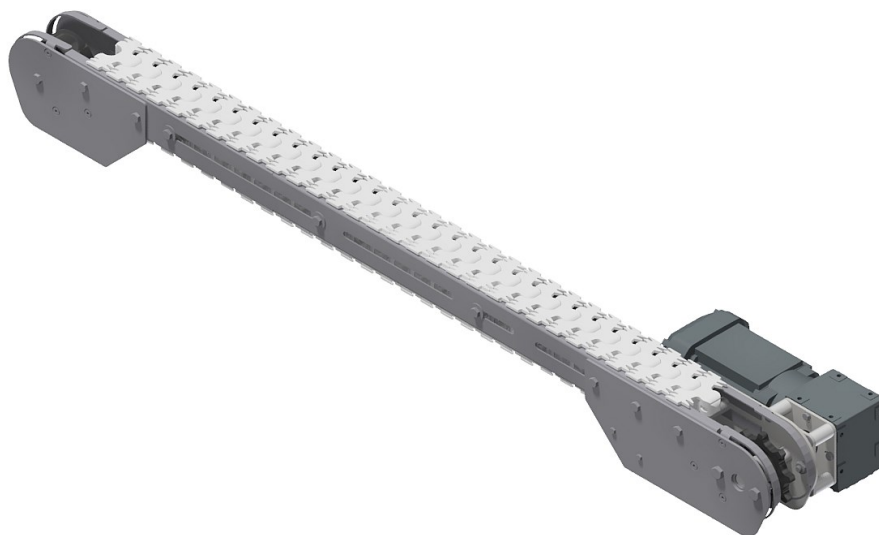
Other radius and angles are manufactured on request  
Minimum 5°

Order example

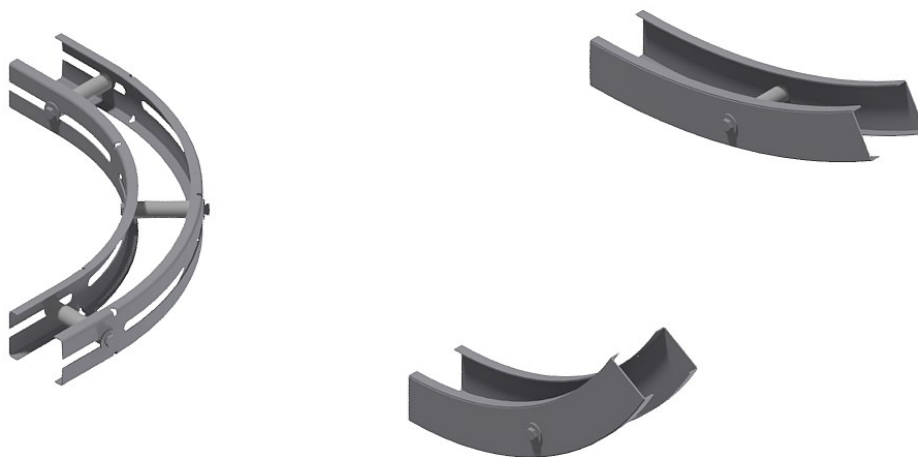
520-5695-45

A= 45°





# S530





Series 530



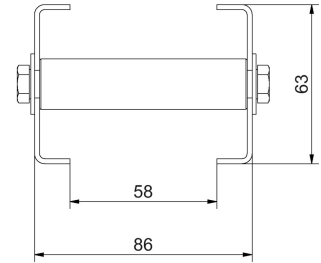
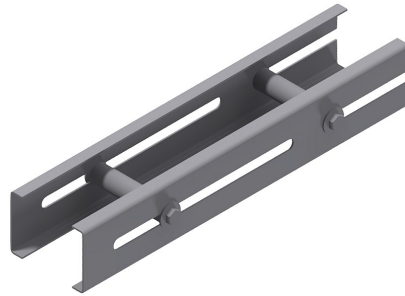
Technical specification S530	
Width of chain	83 mm
Chain pitch	38 mm
Width conveyor profile	86 mm
Height conveyor	80 mm
Radius conveyor chain on the drive and idler unit	70 mm
Max. permitted traction on the conveyor chain	1250 N
Weight conveyor	≈ 7 kg/m **
Recommended maximum load on conveyor	≈ 200 kg *
Recommended maximum load	≈ 20 kg/m *
Recommended maximum length of conveyor	≈ 20 m *
Recommended maximum speed	50 m/min
Minimum radius on plain bend	R 150 mm
Wheel curve radius	R 150 mm and R 200 mm
Vertical bend radius	R 400 mm and R 860 mm
Motor	0,18 - 0,55 kW
Noise level	< 70 dB (A)
Chain material	Acetal
Conveyor profile material	Stainless steel
* Recommended maximum length depends on the design, load and number of bends.	
** The weight of the conveyor depends on which type of chain, guide rail and guide rail bracket.	

Series 530

### Conveyor profile S530

Stainless steel  
Weight 2900 g/m  
Length 2.48 m

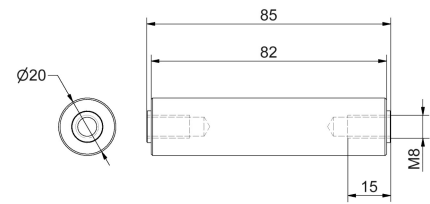
**Part.no 530-1000**



### Spacer

For 530-1000  
Stainless steel  
Weight 200 g

**Part.no 530-1030**



Including stainless steel fasteners  
**Part.no 530-1035**

## Series 530

**Conveyor chain S830**

Acetal, nylon and stainless steel.

Standard version top flights are made of white acetal which is food approved

Allowed traction force 500 N.

Specified dimensions may vary up to 2%

On request, some chains and top flight can be delivered in non-standard material.  
Enter the following additional letter.

**L** = Low friction

**V** = Heat resistance

**A** = Antistatic

**F** = Flocked

Order example 830-2000L

**Finger chain**

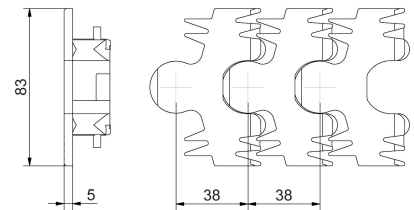
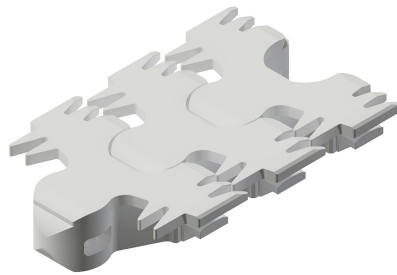
Slat standard chain for S830 and S530

Weight 1420 g/m

Qty 27 pcs/m

**Part no. 830-2000**

**Part no. 830-2000-BLUE**



Top flight for standard chain

Weight 18 g

**Part no. 830-2001**

**Part no. 830-2001-BLUE**

**Finger chain friction**

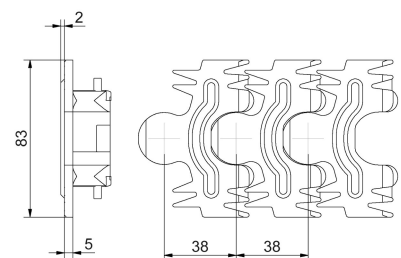
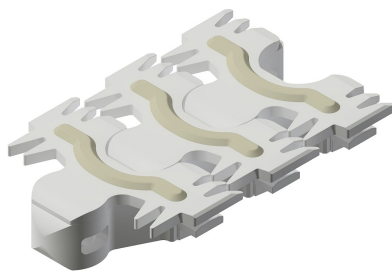
Standard chain with friction for S830  
and S530

Weight 1440 g/m

Qty 27 pcs/m

**Part.no 830-2010**

**Part no. 830-2010-BLUE**



Top flight for friction chain

Weight 19 g

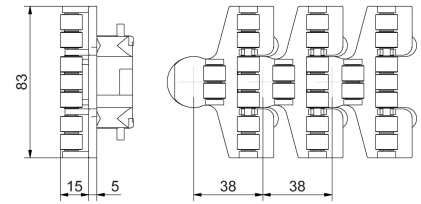
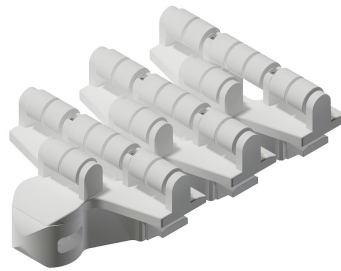
**Part.no 830-2011**

**Part no. 830-2011-BLUE**

Series 530

**Chain with rollers**

For S830 and S530  
 Weight 2030 g/m  
 Qty 27 pcs/m

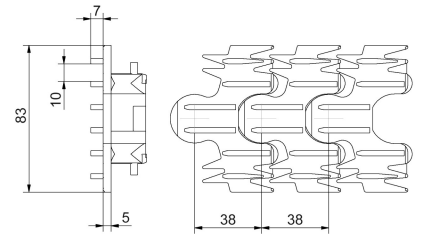
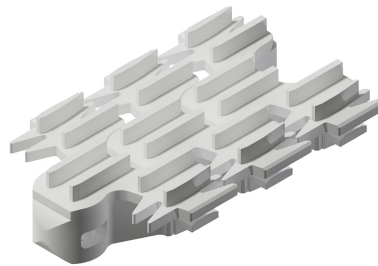


**Part.no 830-2050**

Top flight for roller chain  
 Weight 41 g  
**Part.no 830-2051**

**Rib chain**

For S830 and S530  
 Weight 1550 g/m  
 Qty 27 pcs/m

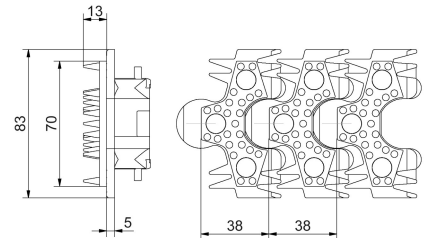
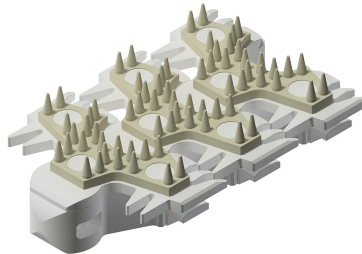


**Part.no 830-2055**

Top flight for rib chain  
 Weight 23 g  
**Part.no 830-2056**

**Friction chain**

Friction chain with soft tip  
 For S830 and S530  
 Weight 1600 g/m  
 Qty 27 pcs/m



**Part.no 830-2110**

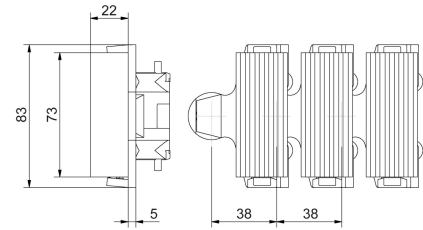
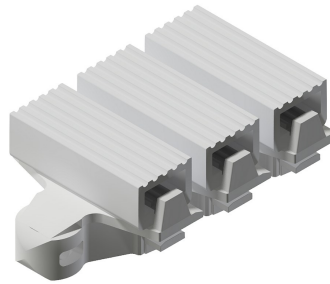
Top flight for friction chain with soft tip  
 Weight 27 g  
**Part.no 830-2111**

## Series 530

**Side grip chain**

For S830 and S530  
Weight 2260 g/m  
Qty 27 pcs/m

**Part.no 830-2120**



Top flight for side grip chain

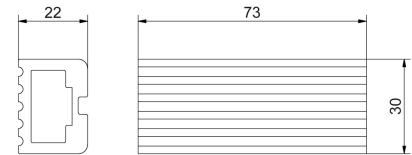
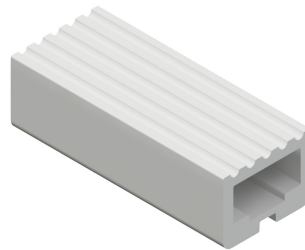
Weight 48 g

**Part.no 830-2121**

**Rubber block**

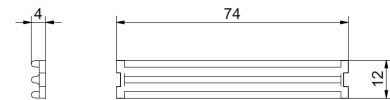
Rubber block for chain 830-2120  
White TPE  
Weight 25 g

**Part.no 830-2122**

**Locking rail**

Locking rail for 830-2122  
Black reinforced nylon  
Weight 4 g

**Part.no 830-2123**

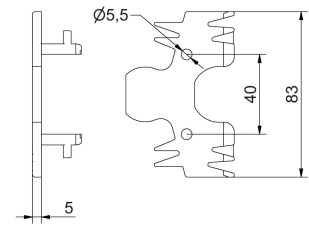
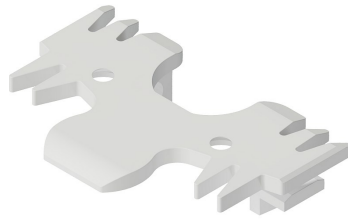


Series 530

**Top flight for carrier**

For S830 and S530  
Weight 20 g

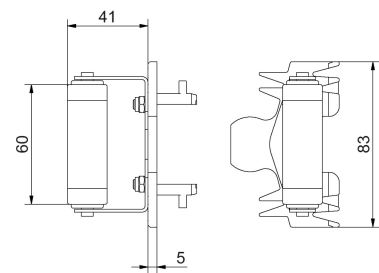
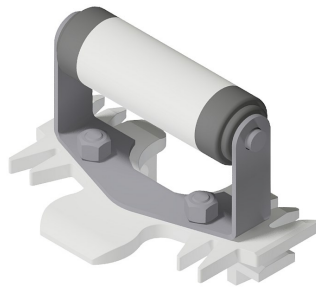
**Part.no 830-2075**



**Top flight with carrier**

For S830 and S530  
Weight 75 g

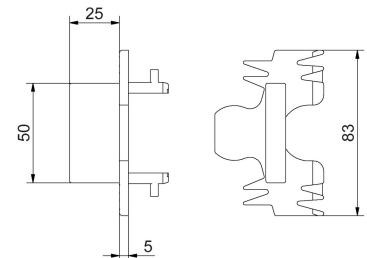
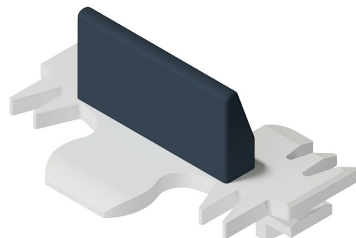
**Part.no 830-2079**



**Top flight with carrier**

For S830 and S530  
Weight 33 g

**Part.no 830-2081**



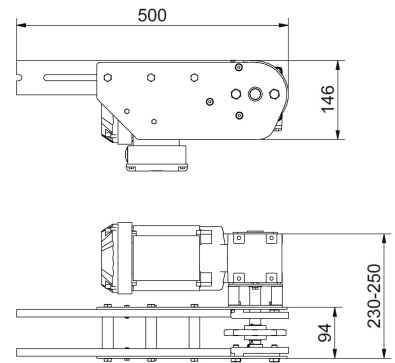
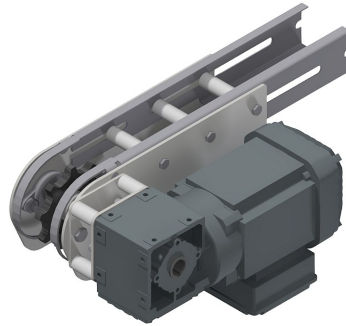
Series 530

**530-30**

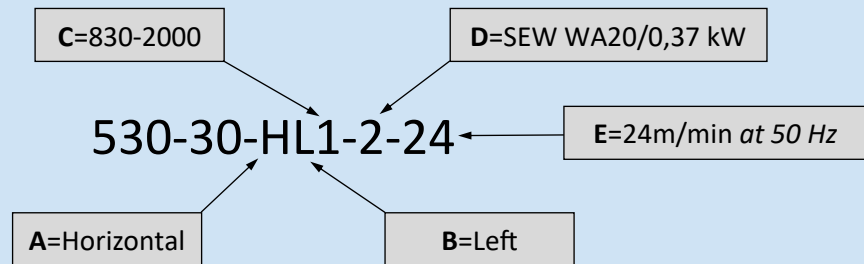
Drive unit with direct transmission S620.  
IP55 and stainless steel hollow shaft.  
Configuration of default drive with direct transmission **530-30-ABC-D-E**.

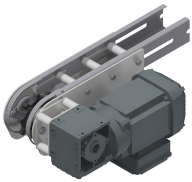
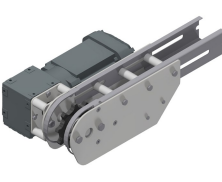
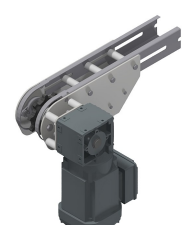
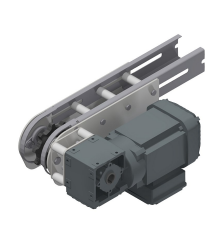
If needed, roller transfers and brackets can be found on page 60.

Weight without motor 6300 g  
Weight with motor 13300-19300 g



Order example



<b>A:</b> <u>Assembly position</u>	<b>B:</b> <u>Placement</u>	<b>C:</b> <u>Conveyor chain</u>	<b>D:</b> <u>Motor/gear</u> <u>Power</u>	<b>E:</b> <u>Speed m/min</u> <u>at 50 Hz</u>
<b>H:</b> Horizontal  	<b>R:</b> Right  	<b>1:</b> 830-2000 830-2010	<b>1:</b> SEW WA20 0,25 kW	8    18    34 10    20    47 12    25 15    29
		<b>2:</b> 830-2081		<b>2:</b> SEW WA20 0,37 kW
<b>V:</b> Vertical  	<b>L:</b> Left  	<b>3:</b> 830-2055 830-2079 830-2110	<b>3:</b> SEW WA30 0,37 kW	6    15    30 8    18    34 10    20    48 12    25
		<b>4:</b> 830-2050		<b>4:</b> SEW WA30 0,55 kW
				<b>W</b> Without motor/gear. Assembly position and shaft prepared for selected placement. More options →

Series 530

Cont. 530-30

<b>D:</b> <u>Motor/gear</u> <u>Power</u>	<b>E:</b> <u>Speed m/min</u> <u>at 50 Hz</u>		
<b>5:</b> SEW SA37 0,37 kW	8 10 13 16	19 25 27 31	36
<b>6:</b> Lenze G500-B45 0,18 kW	13 15 17 19	21 25 28 31	36 41 45
<b>7:</b> Lenze G500-B110 0,18 kW	8 10 12 15	19 21 25 33	38 41
<b>8:</b> Lenze G500-B45 0,25 kW	19 22 25 28	32 36 41 46	
<b>9:</b> Lenze G500-B110 0,25 kW	11 12 15 19	21 25 27 31	38 42 46
<b>10:</b> Lenze G500-B45 0,37 kW	28 32 37 42	47	

<b>D:</b> <u>Motor/gear</u> <u>Power</u>	<b>E:</b> <u>Speed m/min</u> <u>at 50 Hz</u>		
<b>11:</b> Lenze G500-B110 0,37 kW	11 13 16 20	22 25 28 32	34 39 43 47
<b>12:</b> Lenze G500-B45 0,55 kW	26 28 32 37	42 47	
<b>13:</b> Lenze G500-B110 0,55 kW	17 20 22 25	28 31 39 43	47
<b>14:</b> Lenze Smart Motor G500-B45 max 0,47 kW	Adjustable speed 6-31 m/min		
<b>15:</b> Lenze Smart Motor G500-B45 max 0,47 kW	Adjustable speed 10-50 m/min		
	<b>W</b> Without motor/gear. Assembly position and shaft prepared for selected place- ment.		

If needed, roller transfers and brackets can be found on page 60.



## Series 530

## Cont. 530-30

## Bracket for roller transfer and connecting strip between conveyors

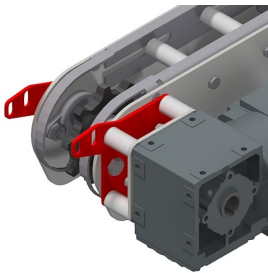
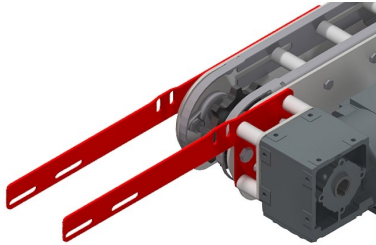
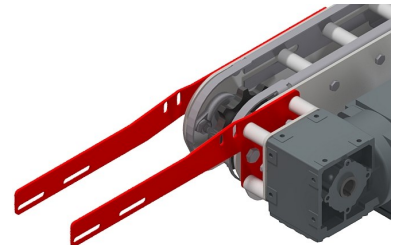
The following configuration is listed on order number 530-30-ABC-D-E- **with one additional letter.**

**A** = 500-3117R/L and 500-7112.

**B** = 500-3119R/L and 500-7120.

**C** = 500-3118R/L and 500-7130, 7 mm level difference.

Order example: 530-30-HL1-2-24-A

**A****B****C**

## Bracket for roller transfer and connecting strip including roller transfer

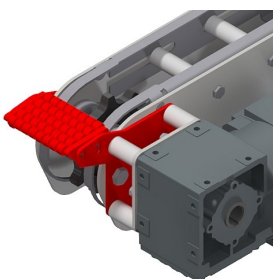
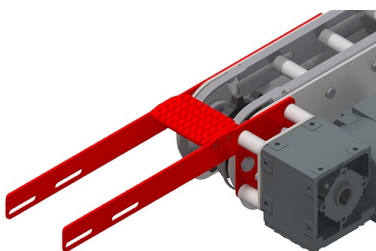
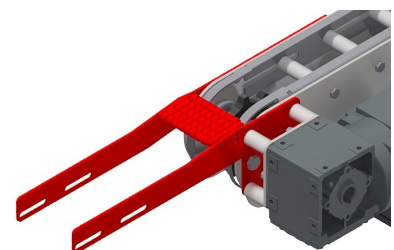
The following configuration is listed on the existing order number 530-30-ABC-D-E- **with two extra letters.**

**AR** = 500-3117R/L, 500-7112 and 500-7010.

**BR** = 500-3119R/L, 500-7120 and 500-7010.

**CR** = 500-3118R/L, 500-7130 and 500-7010, 7 mm level difference.

Order example: 530-30-HL1-2-24-AR

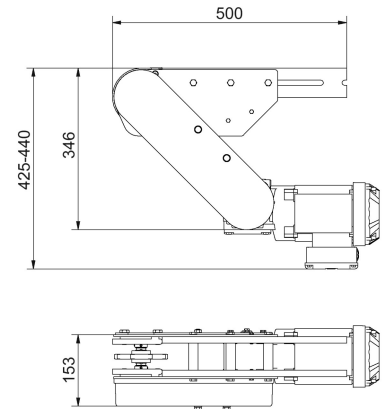
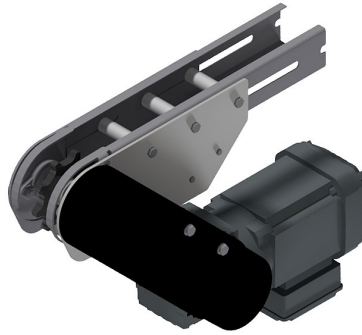
**AR****BR****CR**

Series 530

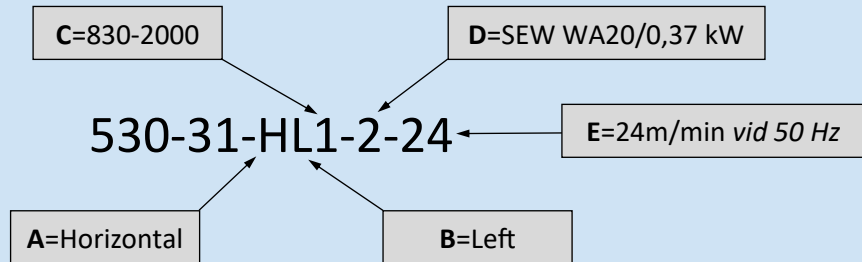
**530-31**

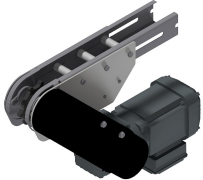
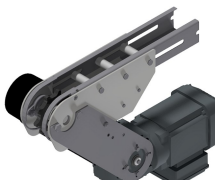

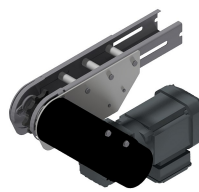
Drive unit with suspended motor with timing belt transmission S530. IP55 and stainless steel hollow shaft. Configuration of default drive unit **530-31-ABC-D-E**.

If needed, roller transfers and brackets can be found on page 63.



Order example



<b>A:</b> <u>Assembly position</u>	<b>B:</b> <u>Placement</u>	<b>C:</b> <u>Conveyor chain</u>	-	<b>D:</b> <u>Motor/gear</u> <u>Power</u>	<b>E:</b> <u>Speed m/min</u> <u>at 50 Hz</u>
<b>H:</b> Horizontal 	<b>R:</b> Right 	<b>1:</b> 830-2000 830-2010	-	<b>1:</b> SEW WA20 0,25 kW	8    18    34 10    20    47 12    25 15    29
		<b>2:</b> 830-2081		<b>2:</b> SEW WA20 0,37 kW	18    34 20    48 25 30
<b>V:</b> Vertical 	<b>L:</b> Left 	<b>3:</b> 830-2055 830-2079 830-2110	-	<b>3:</b> SEW WA30 0,37 kW	6    15    30 8    18    34 10    20    48 12    25
		<b>4:</b> 830-2050		<b>4:</b> SEW WA30 0,55 kW	15    34 18    48 20 30
					<b>W</b> Without motor/gear. Assembly position and shaft prepared for selected place- ment. More options →

Series 530

Forts. 530-31

<b>D:</b> <u>Motor/gear</u> <u>Power</u>	<b>E:</b> <u>Speed m/min</u> <u>at 50 Hz</u>		
<b>5:</b> SEW SA37 0,37 kW	8 10 13 16	19 25 27 31	36
<b>6:</b> Lenze G500-B45 0,18 kW	13 15 17 19	21 25 28 31	36 41 45
<b>7:</b> Lenze G500-B110 0,18 kW	8 10 12 15	19 21 25 33	38 41
<b>8:</b> Lenze G500-B45 0,25 kW	19 22 25 28	32 36 41 46	
<b>9:</b> Lenze G500-B110 0,25 kW	11 12 15 19	21 25 27 31	38 42 46
<b>10:</b> Lenze G500-B45 0,37 kW	28 32 37 42	47	

<b>D:</b> <u>Motor/gear</u> <u>Power</u>	<b>E:</b> <u>Speed m/min</u> <u>at 50 Hz</u>		
<b>11:</b> Lenze G500-B110 0,37 kW	11 13 16 20	22 25 28 32	34 39 43 47
<b>12:</b> Lenze G500-B45 0,55 kW	26 28 32 37	42 47	
<b>13:</b> Lenze G500-B110 0,55 kW	17 20 22 25	28 31 39 43	47
<b>14:</b> Lenze Smart Motor G500-B45 max 0,47 kW	Adjustable speed 6-31 m/min		
<b>15:</b> Lenze Smart Motor G500-B45 max 0,47 kW	Adjustable speed 10-50 m/min		
	<b>W</b> Without motor/gear. Assembly position and shaft prepared for selected place- ment.		

If needed, roller transfers and brackets can be found on page 63.

## Series 530

### Cont. 530-31

#### Bracket for roller transfer and connecting strip between conveyors

The following configuration is listed on order number 530-31-ABC-D-E- **with one additional letter**.

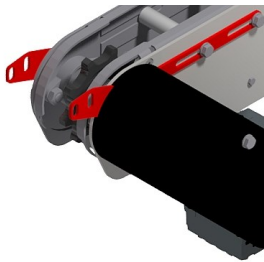
**A** = 500-7112.

**B** = 500-7120.

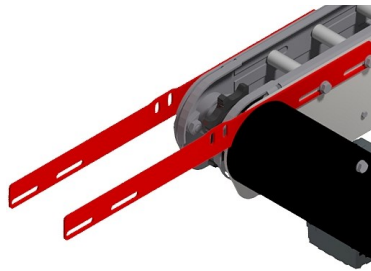
**C** = 500-7130, 7 mm level in difference.

Order example: 530-31-HL1-2-24-A

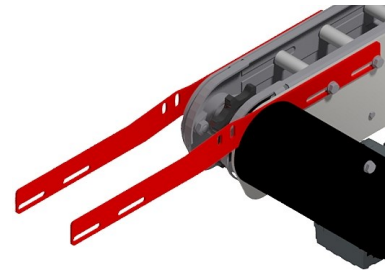
**A**



**B**



**C**



#### Bracket for roller transfer and connecting strip including roller transfer

The following configuration is listed on the existing order number 530-31-ABC-D-E- **with two extra letters**.

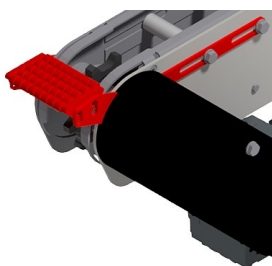
**AR** = 500-7112 and 500-7010.

**BR** = 500-7120 and 500-7010.

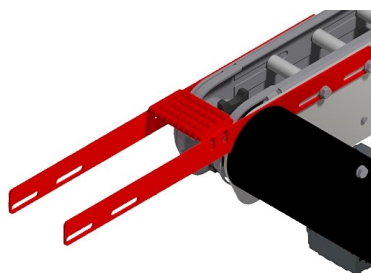
**CR** = 500-7130 and 500-7010, 7 mm level in difference.

Order example: 530-31-HL1-2-24-AR

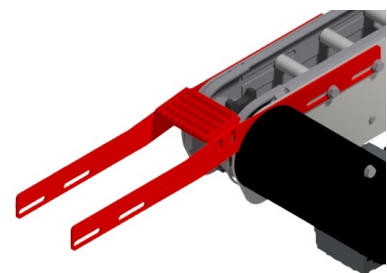
**AR**



**BR**



**CR**

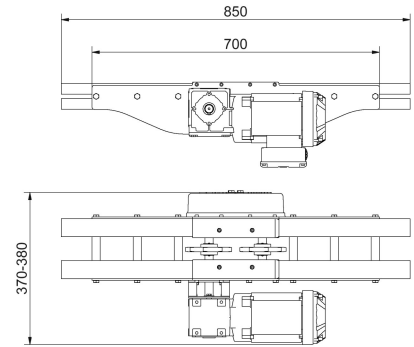
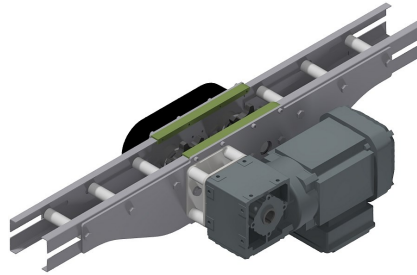


Series 530

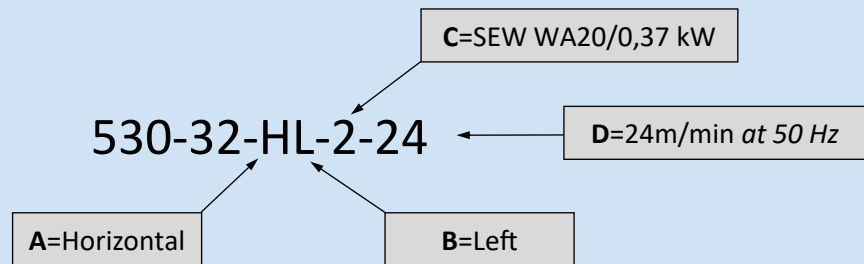
**530-32**

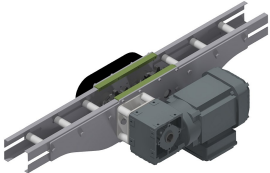
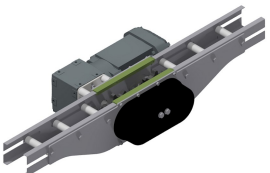
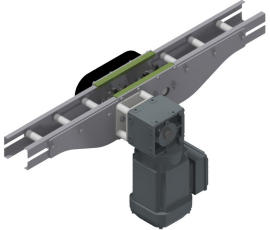
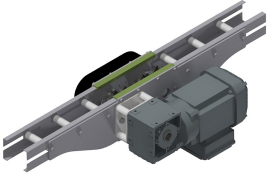
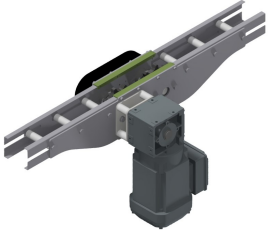
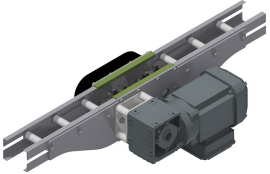
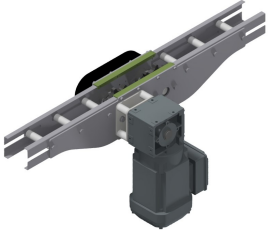
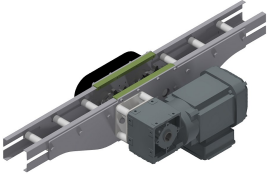
Drive unit with intermediate motor and returnchain S530.  
IP55 and stainless steel hollow shaft.  
Configuration of default drive unit  
**530-32-AB-C-D.**

Use 530-4055 as front idler unit



Order example



<b>A:</b> <u>Assembly position</u>	<b>B:</b> <u>Placement</u>	<b>C:</b> <u>Motor/gear</u> <u>Power</u>	<b>D:</b> <u>Speed m/min</u> <u>at 50 Hz</u>		
<b>H: Horizontal</b> 	<b>R: Right</b> 	<b>1:</b> SEW WA20 0,25 kW	8	16	32
			10	18	44
<b>V: Vertical</b> 	<b>L: Left</b> 	<b>2:</b> SEW WA20 0,37 kW	12	23	
			15	27	
<b>V: Vertical</b> 	<b>L: Left</b> 	<b>3:</b> SEW WA30 0,37 kW	18	34	
			20	48	
<b>V: Vertical</b> 	<b>L: Left</b> 	<b>4:</b> SEW WA30 0,55 kW	25		
			30		
			<b>W</b> Without motor/gear. Assembly position and shaft prepared for selected place- ment. More options →		

Series 530

Cont. 530-32

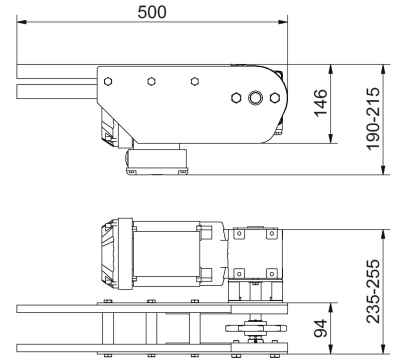
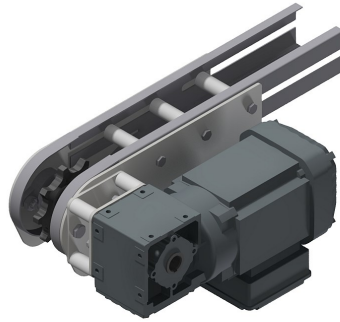
<b>C:</b> <b>Motor/gear</b> <b>Power</b>	<b>D:</b> <b>Speed m/min</b> <b>at 50 Hz</b>		
<b>5:</b> SEW SA37 0,37 kW	8 10 13 16	19 25 27 31	36
<b>6:</b> Lenze G500-B45 0,18 kW	13 15 17 19	21 25 28 31	36 41 45
<b>7:</b> Lenze G500-B110 0,18 kW	8 10 12 15	19 21 25 33	38 41
<b>8:</b> Lenze G500-B45 0,25 kW	19 22 25 28	32 36 41 46	
<b>9:</b> Lenze G500-B110 0,25 kW	11 12 15 19	21 25 27 31	38 42 46
<b>10:</b> Lenze G500-B45 0,37 kW	28 32 37 42	47	

<b>C:</b> <b>Motor/gear</b> <b>Power</b>	<b>D:</b> <b>Speed m/min</b> <b>at 50 Hz</b>		
<b>11:</b> Lenze G500-B110 0,37 kW	11 13 16 20	22 25 28 32	34 39 43 47
<b>12:</b> Lenze G500-B45 0,55 kW	26 28 32 37	42 47	
<b>13:</b> Lenze G500-B110 0,55 kW	17 20 22 25	28 31 39 43	47
<b>14:</b> Lenze Smart Motor G500-B45 max 0,47 kW	Adjustable speed 6-31 m/min		
<b>15:</b> Lenze Smart Motor G500-B45 max 0,47 kW	Adjustable speed 10-50 m/min		
	<b>W</b> Without motor/gear. Assembly position and shaft prepared for selected place- ment.		

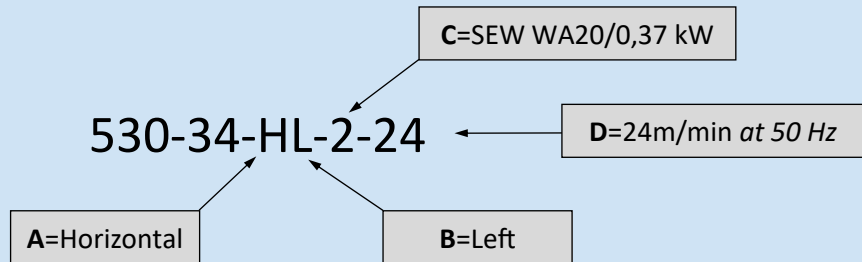
Series 530

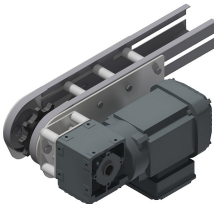
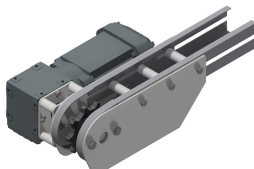

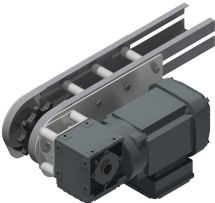
**530-34**

Drive unit for side grip conveyor S530.  
IP55 and stainless steel hollow shaft.  
Configuration of default drive unit  
**530-34-AB-C-D.**



Order example



<u>A:</u> <u>Assembly position</u>	<u>B:</u> <u>Placement</u>	<u>C:</u> <u>Motor/gear</u> <u>Power</u>	<u>D:</u> <u>Speed m/min</u> <u>at 50 Hz</u>		
<b>H:</b> Horizontal  	<b>R:</b> Right  	<b>1:</b> SEW WA20 0,25 kW	8	18	34
		<b>2:</b> SEW WA20 0,37 kW	10	20	47
			12	25	29
			15	29	
		<b>2:</b> SEW WA20 0,37 kW	18	34	
			20	48	
			25		
			30		
<b>V:</b> Vertical  	<b>L:</b> Left  	<b>3:</b> SEW WA30 0,37 kW	6	15	30
			8	18	34
			10	20	48
			12	25	
		<b>4:</b> SEW WA30 0,55 kW	15	34	
			18	48	
			20		
			30		
			<b>W</b> Without motor/gear. Assembly position and shaft prepared for selected place- ment. More options →		

Series 530

Cont. 530-34

<b>C:</b> <b>Motor/gear</b> <b>Power</b>	<b>D:</b> <b>Speed m/min</b> <b>at 50 Hz</b>		
<b>5:</b> SEW SA37 0,37 kW	8 10 13 16	19 25 27 31	36
<b>6:</b> Lenze G500-B45 0,18 kW	13 15 17 19	21 25 28 31	36 41 45
<b>7:</b> Lenze G500-B110 0,18 kW	8 10 12 15	19 21 25 33	38 41
<b>8:</b> Lenze G500-B45 0,25 kW	19 22 25 28	32 36 41 46	
<b>9:</b> Lenze G500-B110 0,25 kW	11 12 15 19	21 25 27 31	38 42 46
<b>10:</b> Lenze G500-B45 0,37 kW	28 32 37 42	47	

<b>C:</b> <b>Motor/gear</b> <b>Power</b>	<b>D:</b> <b>Speed m/min</b> <b>at 50 Hz</b>		
<b>11:</b> Lenze G500-B110 0,37 kW	11 13 16 20	22 25 28 32	34 39 43 47
<b>12:</b> Lenze G500-B45 0,55 kW	26 28 32 37	42 47	
<b>13:</b> Lenze G500-B110 0,55 kW	17 20 22 25	28 31 39 43	47
<b>14:</b> Lenze Smart Motor G500-B45 max 0,47 kW	Adjustable speed 6-31 m/min		
<b>15:</b> Lenze Smart Motor G500-B45 max 0,47 kW	Adjustable speed 10-50 m/min		
	<b>W</b> Without motor/gear. Assembly position and shaft prepared for selected place- ment.		

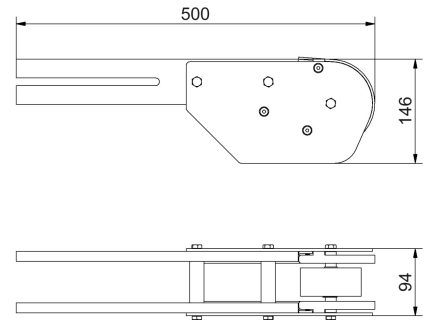
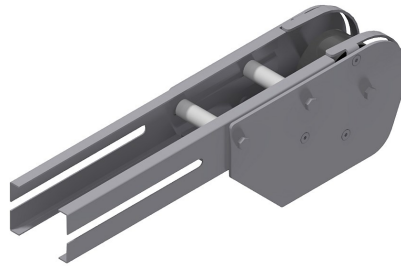


Series 530

### Idler unit

Standard idler unit for S530  
Weight 3900 g

Part.no 530-4000



### Bracket for roller transfer and bracket including roller transfer

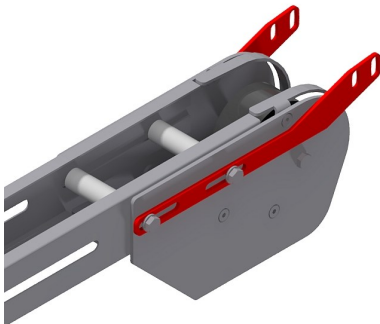
The following configuration is listed on the existing order number 530-4000- with **one/or two additional letter**.

**A** = 500-7111

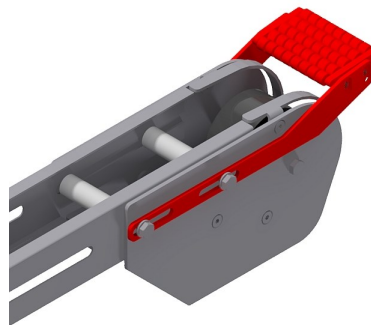
**AR** = 500-7111 and 500-7010

Order example: 530-4000-A

**A**



**AR**



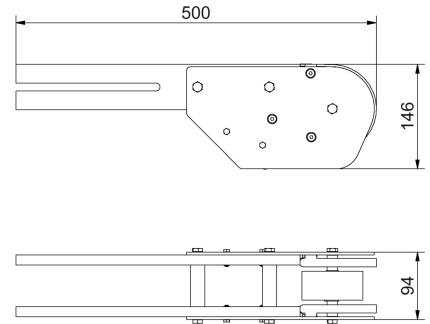
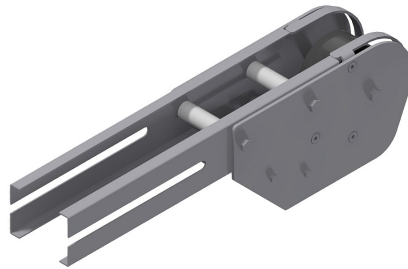
Series 530

**Idler unit**

Used as front idler unit for conveyor where drive unit 530-32 is included.  
Configuration of idler unit

**Part.no 530-4055-A**

If needed, roller transfers and brackets can be found on page 70.



**Order example**

530-4055-1

A=830-2000

**A:**

**Conveyor chain**

1:	2:	3:	4:
830-2000 830-2010	830-2081	830-2055 830-2079 830-2110	830-2050

## Series 530

### Forts. 530-4055-A

#### Bracket for roller transfer and connecting strip between conveyors

The following configuration is listed on order number 530-4055-A- **with one additional letter**.

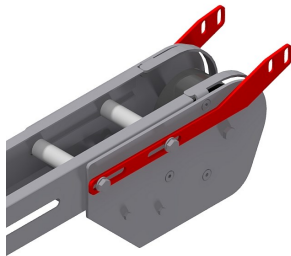
**A** = 500-7112.

**B** = 500-7120.

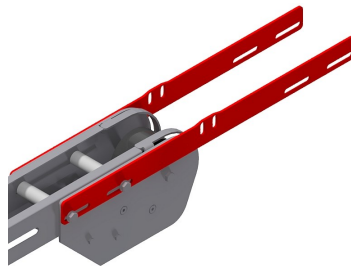
**C** = 500-7130, 7 mm level difference.

Order example: 530-4055-1-A

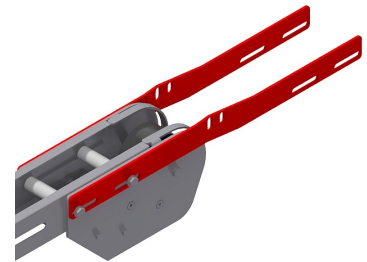
**A**



**B**



**C**



#### Bracket for roller transfer and connecting strip including roller transfer

The following configuration is listed on the existing order number 530-4055-A- **with two extra letters**.

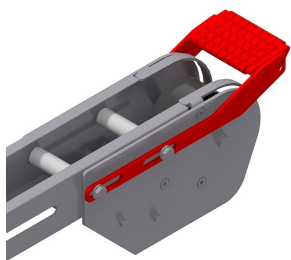
**AR** = 500-7112 and 500-7010.

**BR** = 500-7120 and 500-7010.

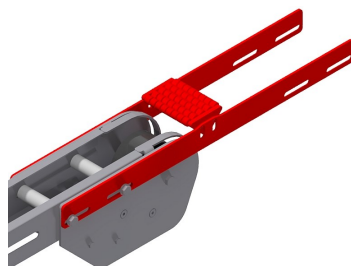
**CR** = 500-7130 and 500-7010, 7 mm level difference.

Order example: 530-4055-1-AR

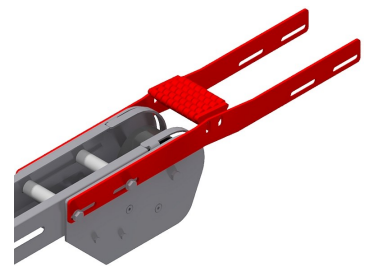
**AR**



**BR**



**CR**

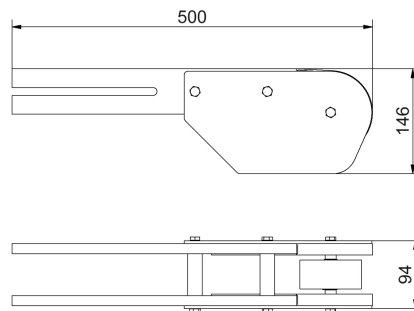
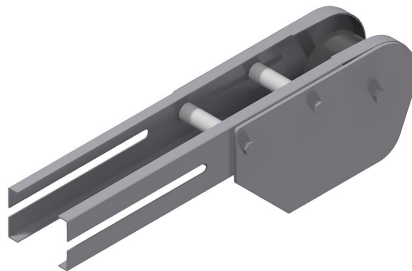


Series 530

**Idler unit**

Idler unit for side grip conveyor.  
Used with 530-34.

**Part.no 530-4010**



Series 530

**Wheel bend**

Standard wheel bend S530 with R150 mm  
Stainless steel and wheel in plastic

Configuration of default wheel bend  
**Part.no 530-5025-A**

A= angle on bend

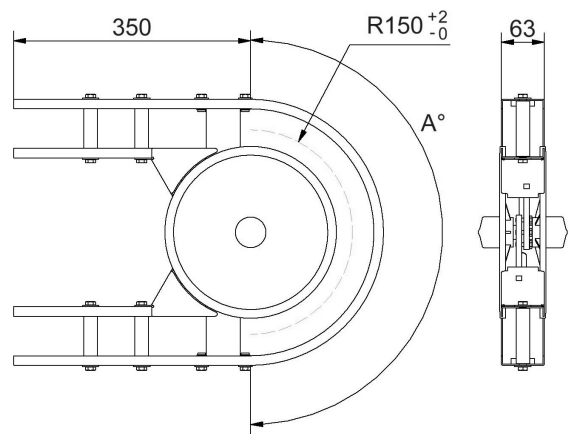
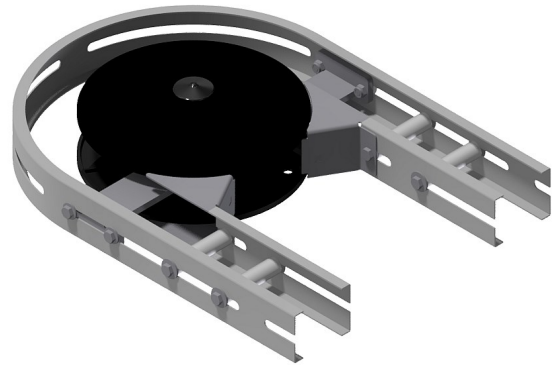
Standard angles for R150
A = 45°
A = 90°
A = 180°

Other angles are manufactured on request  
Conneting strip 500-4320 is ordered separately

Order example

**530-5025-45**

**A= 45°**



Series 530

**Wheel bend**

Standard wheel bend S530 with R200 mm  
Stainless steel and wheel in plastic

Configuration of default wheel bend  
**Part.no 530-5055-A**

A= angle on bend

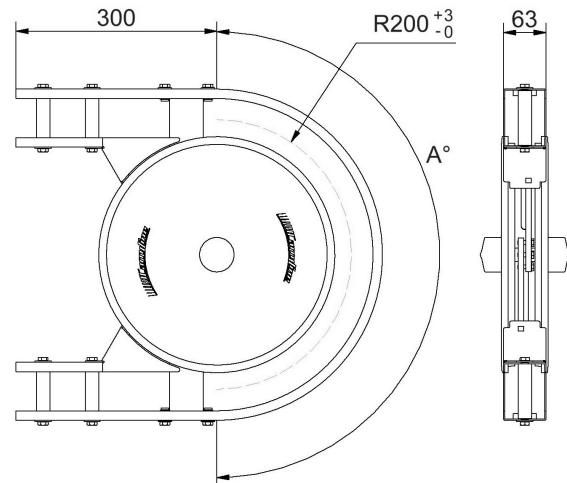
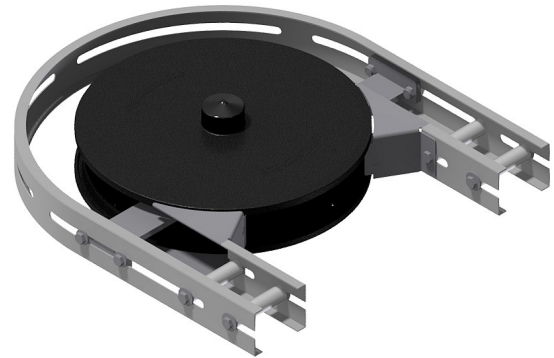
Standard angles for R200
A = 45°
A = 90°
A = 180°

Other angles are manufactured on request  
Conneting strip 500-4320 is ordered separately

Order example

**530-5055-45**

**A= 45°**

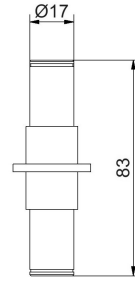


## Series 530

**Shaft**

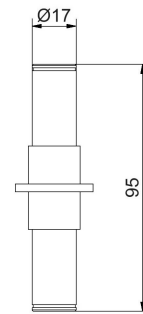
For wheel bend R150  
Stainless steel  
Weight 145 g

**Part.no 14261\_3**

**Shaft**

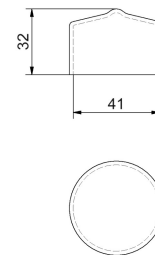
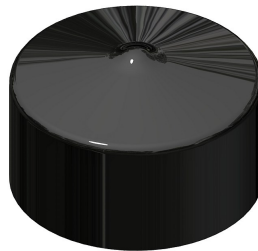
For wheel bend R200  
Stainless steel  
Weight 165 g

**Part.no 14261\_2**

**Plastic cover**

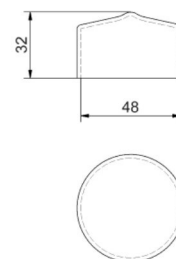
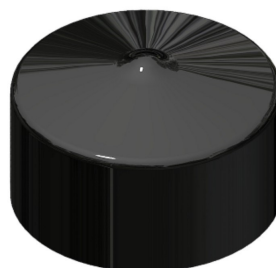
For disc  $\text{Ø}252$   
Black PVC  
Weight 11 g

**Part.no 830-5031**

**Plastic cover**

For disc  $\text{Ø}350$   
Black PVC  
Weight 15 g

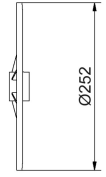
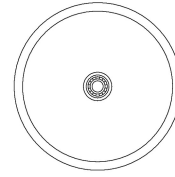
**Part.no 830-5062**



## Series 530

**Disc**

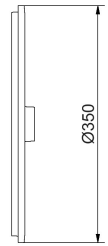
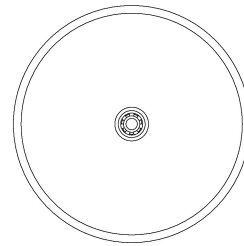
Upper disc for wheel bend R150  
Complete with bearing SS6203-2RS  
Black nylon  
Weight 335 g



**Part.no 530-5027**

**Disc**

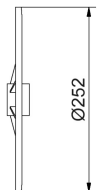
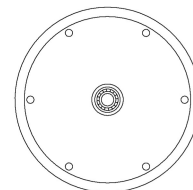
Upper disc for wheel bend R200  
Complete with bearing SS6203-2RS  
Black nylon  
Weight 825 g



**Part.no 530-5060**

**Disc**

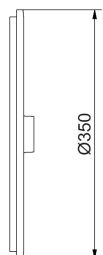
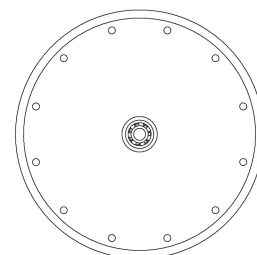
Lower disc for wheel bend R150  
Complete with bearing SS6203-2RS  
Black nylon  
Weight 320 g



**Part.no 17589**

**Disc**

Lower disc for wheel bend R200  
Complete with bearing SS6203-2RS  
Black nylon  
Weight 800 g



**Part.no 17590**



Series 530

**Plain bend S530**

Standard plain bend S530  
Stainless steel

Plain bend configuration  
**Part.no 530-5375-A-B**

A= bend radius

B= angle on bend

The following radius and angles are standard

A = Radius	B = Angle
200 mm	15°, 30°, 45°, 90°, 180°
300 mm	15°, 30°, 45°, 90°, 180°
400 mm	15°, 30°, 45°, 90°, 180°
500 mm	15°, 30°, 45°, 90°, 180°
600 mm	15°, 30°, 45°, 90°, 180°
900 mm	15°, 30°, 45°, 90°, 180°

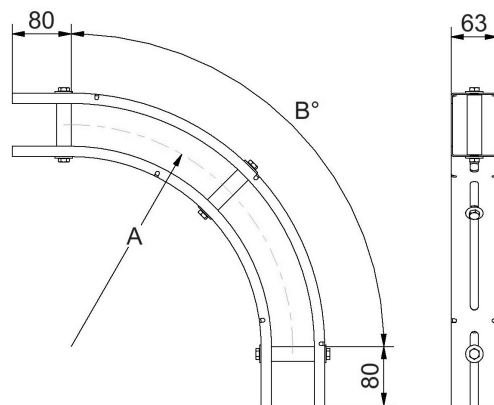
Other radius and angles are manufactured on request

Order example

**530-5375-600-90**

A= 600 mm

B= 90°



Series 530

### Vertical bend

Standard vertical bend R400  
Stainless steel

Vertical bend configuration  
**Part.no 530-5645-A**

A= angle on bend

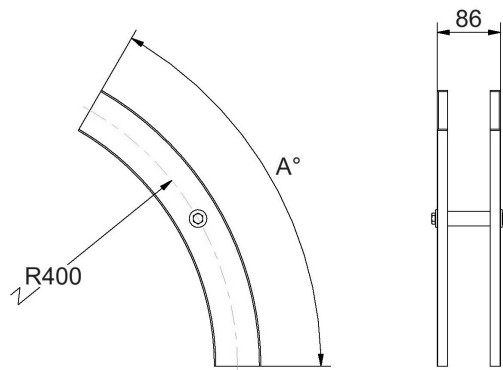
Standard angles for R400
A = 10°
A = 15°
A = 20°
A = 30°
A = 45°
A = 60°
A = 90°

Other radius and angles are manufactured on request  
Minimum 10°

Order example

530-5645-45

A= 45°



## Series 530

**Vertical bend**

Standard vertical bend R860  
Stainless steel

Vertical bend configuration  
**Part.no 530-5695-A**

A= angle on bend

**Standard angles for R860**

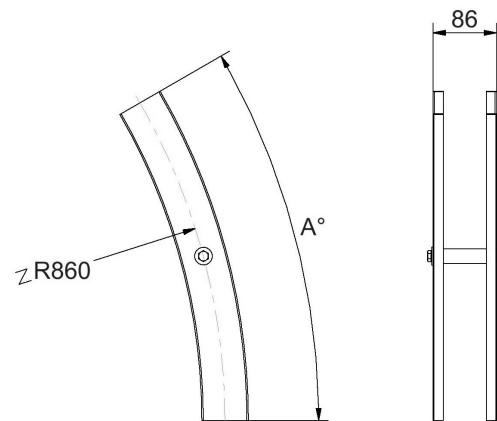
A = 5°
A = 10°
A = 15°
A = 20°
A = 30°
A = 45°
A = 60°
A = 90°

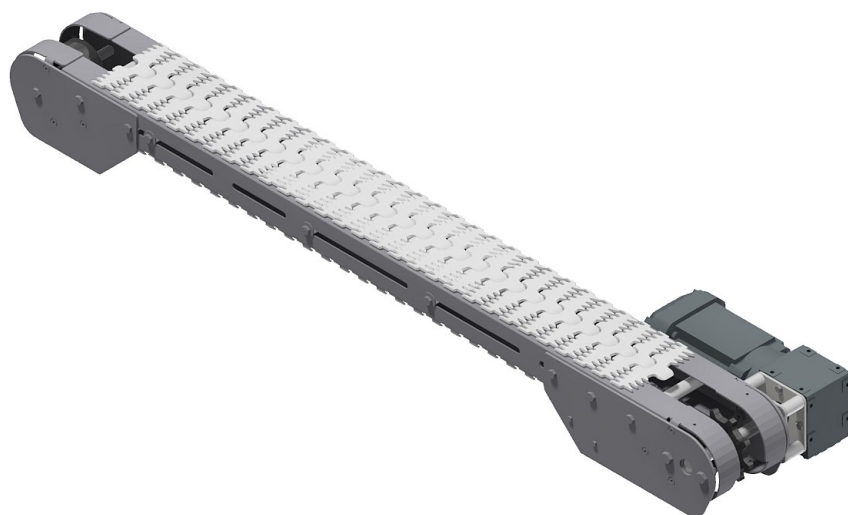
Other radius and angles are manufactured on request  
Minimum 5°

Order example

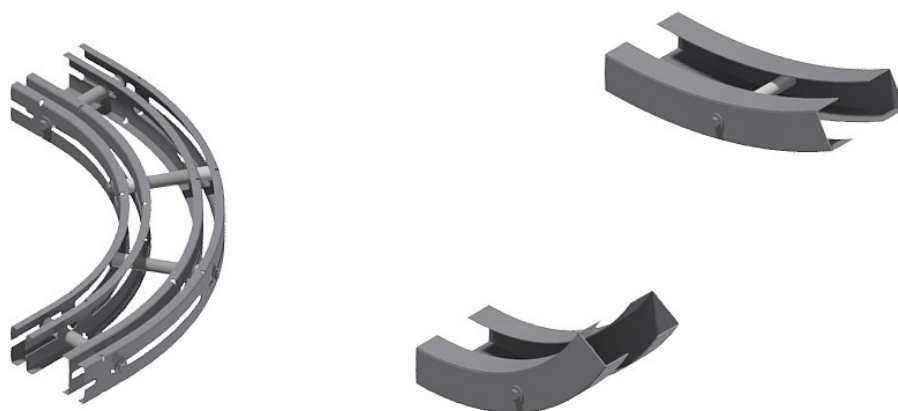
**530-5695-45**

**A= 45°**





# S540



Series 540



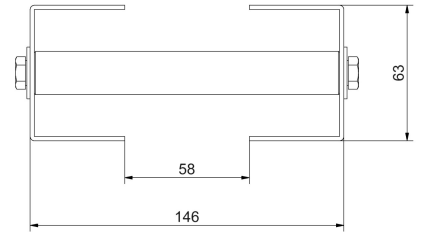
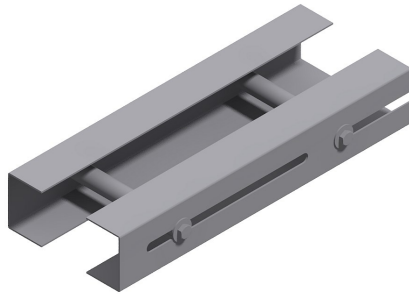
Technical specification S540	
Width of chain	140 mm
Chain pitch	38 mm
Width conveyor profile	141 mm
Height conveyor	80 mm
Radius conveyor chain on the drive and idler unit	70 mm
Max. permitted traction on the conveyor chain	1250 N
Weight conveyor	≈ 8 kg/m **
Recommended maximum load on conveyor	≈ 200 kg *
Recommended maximum load	≈ 20 kg/m *
Recommended maximum length of conveyor	≈ 20 m *
Recommended maximum speed	50 m/min
Minimum radius on plain bend	R 300 mm
Wheel curve radius	R 200 mm
Vertical bend radius	R 400 mm and R 860 mm
Motor	0,18 - 0,55 kW
Noise level	< 70 dB (A)
Chain material	Acetal
Conveyor profile material	Stainless steel
* Recommended maximum length depends on the design, load and number of bends.	
** The weight of the conveyor depends on which type of chain, guide rail and guide rail bracket.	

Series 540

### Conveyor profile S540

Stainless steel  
Weight 5150 g/m  
Length 2.48 m

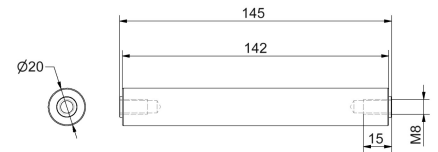
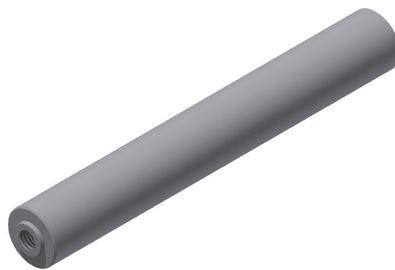
**Part.no 540-1000**



### Spacer

For 540-1000  
Stainless steel  
Weight 350 g

**Part.no 540-1030**



Including stainless steel fasteners  
**Part.no 540-1035**

## Conveyor chain S140

Acetal, nylon and stainless steel.  
 Standard version top flights are made of white acetal which is food approved  
 Allowed traction force 500 N.  
 Specified dimensions may vary up to 2%

On request, chain and top flight can be delivered in non-standard material.  
 Enter the following additional letter.

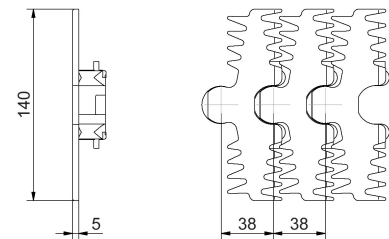
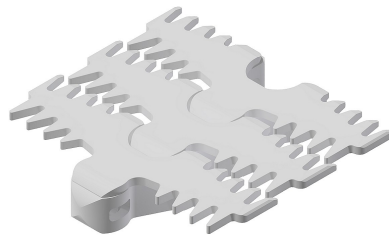
- L = Low friction
- V = Heat resistance
- A = Antistatic
- F = Flocked

Order example 140-2000L

### Finger chain

Slat standard chain for S140 and S540  
 Weight 1680 g/m  
 Qty 27 pcs/m

**Part.no 140-2000**  
**Part no. 140-2000-BLUE**

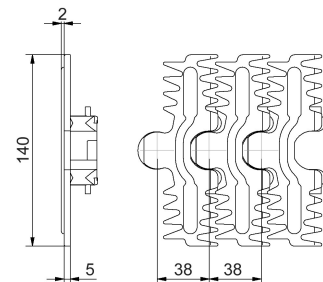
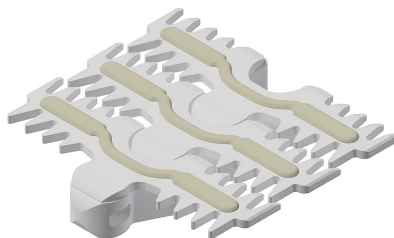


Top flight for standard chain  
 Weight 27 g  
**Part.no 140-2001**  
**Part no. 140-2001-BLUE**

### Finger chain friction

Standard chain with friction top flight for  
 S140 och S540  
 Weight 1700 g/m  
 Qty 27 pcs/m

**Part.no 140-2010**  
**Part no. 140-2010-BLUE**



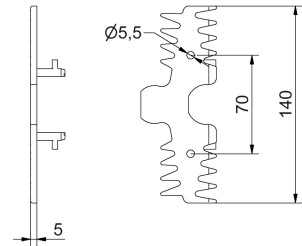
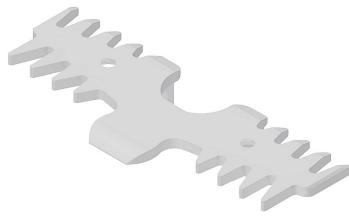
Top flight for friction chain  
 Weight 28 g  
**Part.no 140-2011**  
**Part no. 140-2011-BLUE**

Series 540

**Top flight for carrier**

For S140 and S540  
Weight 26 g

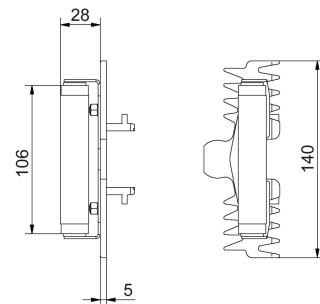
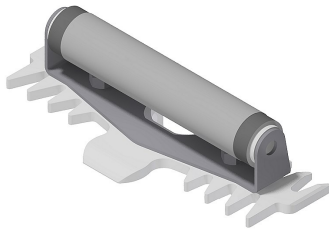
**Part.no 140-2075**



**Top flight with roller carrier**

For S140 and S540  
Plastic roll with bearing and bracket in stainless steel  
Weight 109 g

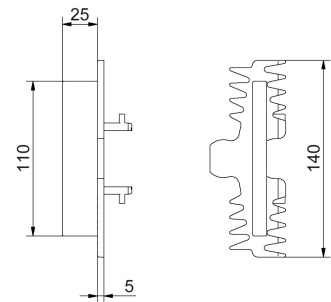
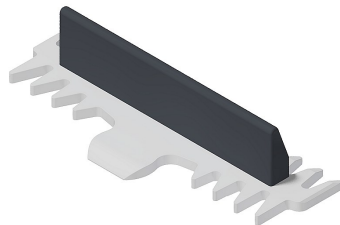
**Part.no 140-2079**



**Top flight with carrier**

For S140 and S540  
Weight 47 g

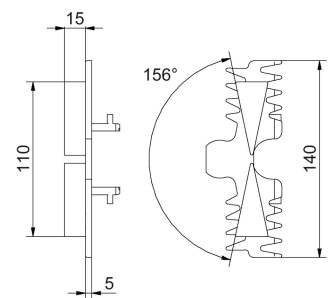
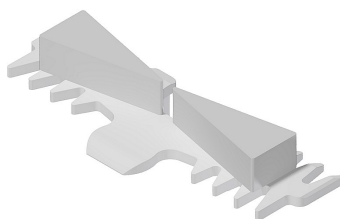
**Part.no 140-2081**



**Top flight with carrier**

For S140 and S540  
Weight 50 g

**Part.no 140-2179**



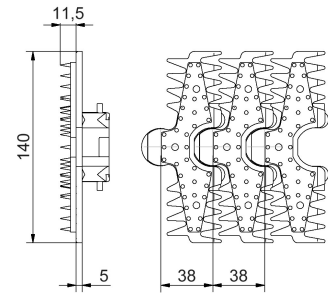
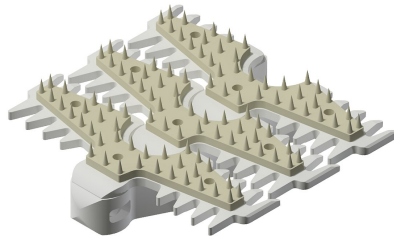


Series 540

**Friction chain**

Friction chain with soft tip  
For S140 and S540  
Weight 1,695 kg/m

**Part.no 140-2110**



Top flight for friction chain with soft tip  
Weight 36 g  
**Part.no 140-2111**

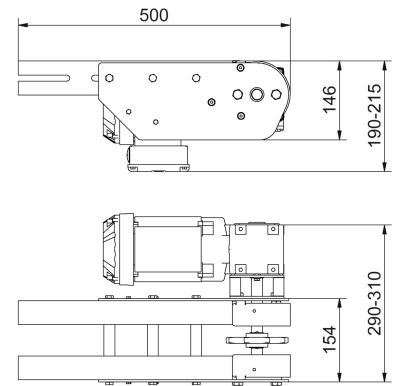
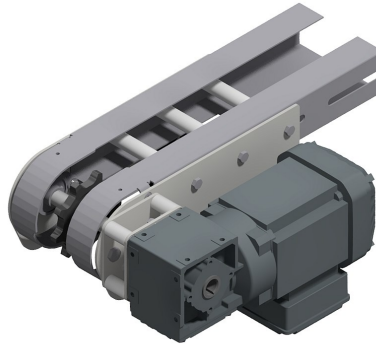
Series 540

**540-30**

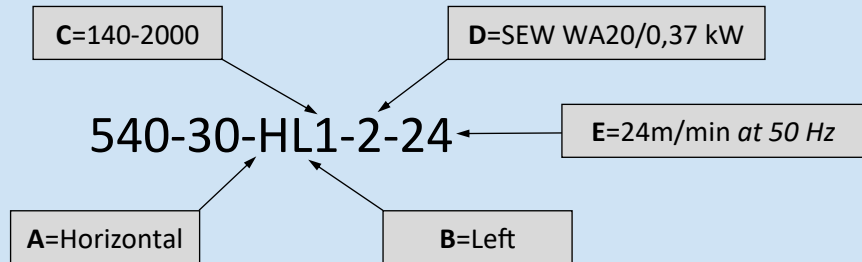
Drive unit with direct transmission S540.  
IP55 and stainless steel hollow shaft.  
Configuration of default drive with direct transmission **540-30-ABC-D-E**.

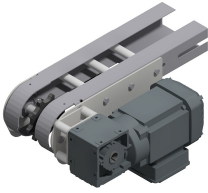


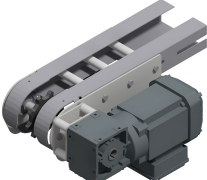
If needed, roller transfers and brackets can be found on page 87.

Weight without motor 8150 g  
Weight with motor 15150-21150 g



Order example



<b>A:</b> <u>Assembly position</u>	<b>B:</b> <u>Placement</u>	<b>C:</b> <u>Conveyor chain</u>	<b>D:</b> <u>Motor/gear</u> <u>Power</u>	<b>E:</b> <u>Speed m/min</u> <u>at 50 Hz</u>
<b>H:</b> Horizontal  	<b>R:</b> Right  	<b>1:</b> 140-2000 140-2010	<b>1:</b> SEW WA20 0,25 kW	8    18    34 10    20    47 12    25 15    29
		<b>2:</b> 140-2081		<b>2:</b> SEW WA20 0,37 kW
<b>V:</b> Vertical  	<b>L:</b> Left  	<b>3:</b> 140-2079 140-2110 140-2179	<b>3:</b> SEW WA30 0,37 kW	6    15    30 8    18    34 10    20    48 12    25
				<b>4:</b> SEW WA30 0,55 kW
				<b>W</b> Without motor/gear. Assembly position and shaft prepared for selected placement. More options →

Series 540

Cont. 540-30

<b>D:</b> <u>Motor/gear</u> <u>Power</u>	<b>E:</b> <u>Speed m/min</u> <u>at 50 Hz</u>		
<b>5:</b> SEW SA37 0,37 kW	8 10 13 16	19 25 27 31	36
<b>6:</b> Lenze G500-B45 0,18 kW	13 15 17 19	21 25 28 31	36 41 45
<b>7:</b> Lenze G500-B110 0,18 kW	8 10 12 15	19 21 25 33	38 41
<b>8:</b> Lenze G500-B45 0,25 kW	19 22 25 28	32 36 41 46	
<b>9:</b> Lenze G500-B110 0,25 kW	11 12 15 19	21 25 27 31	38 42 46
<b>10:</b> Lenze G500-B45 0,37 kW	28 32 37 42	47	

<b>D:</b> <u>Motor/gear</u> <u>Power</u>	<b>E:</b> <u>Speed m/min</u> <u>at 50 Hz</u>		
<b>11:</b> Lenze G500-B110 0,37 kW	11 13 16 20	22 25 28 32	34 39 43 47
<b>12:</b> Lenze G500-B45 0,55 kW	26 28 32 37	42 47	
<b>13:</b> Lenze G500-B110 0,55 kW	17 20 22 25	28 31 39 43	47
<b>14:</b> Lenze Smart Motor G500-B45 max 0,47 kW	Adjustable speed 6-31 m/min		
<b>15:</b> Lenze Smart Motor G500-B45 max 0,47 kW	Adjustable speed 10-50 m/min		
	<b>W</b> Without motor/gear. Assembly position and shaft prepared for selected place- ment.		

If needed, roller transfers and brackets can be found on page 87.

## Series 540

### Cont. 540-30

#### Bracket for roller transfer and connecting strip between conveyors

The following configuration is listed on order number 540-30-ABC-D-E- **with one additional letter.**

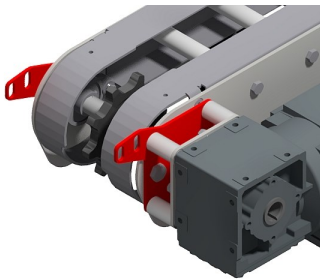
**A** = 500-3117L/R and 500-7112.

**B** = 500-3119L/R and 500-7120.

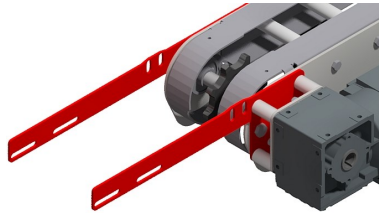
**C** = 500-3118L/R and 500-7130, 7 mm level difference.

Order example: 540-30-HL1-2-24-A

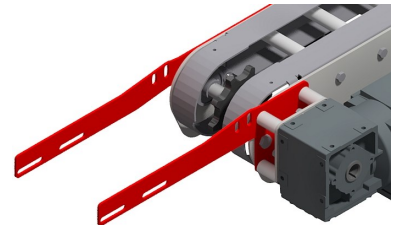
**A**



**B**



**C**



#### Bracket for roller transfer and connecting strip including roller transfer

The following configuration is listed on the existing order number 540-30-ABC-D-E- **with two extra letters.**

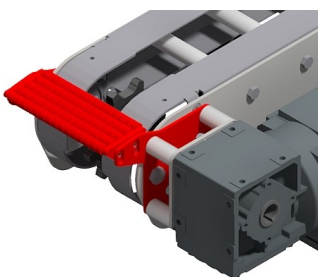
**AR** = 500-3117R/L, 500-7112 and 500-7020.

**BR** = 500-3119R/L, 500-7120 and 500-7020.

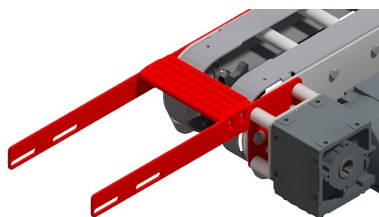
**CR** = 500-3118R/L, 500-7130 and 500-7020, 7 mm level difference.

Order example: 540-30-HL1-2-24-AR

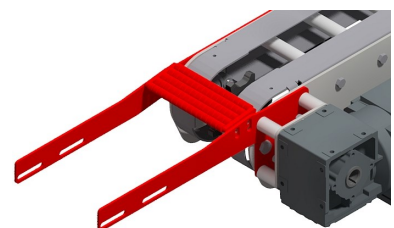
**AR**



**BR**



**CR**

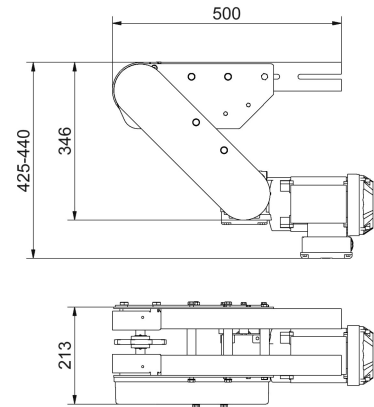
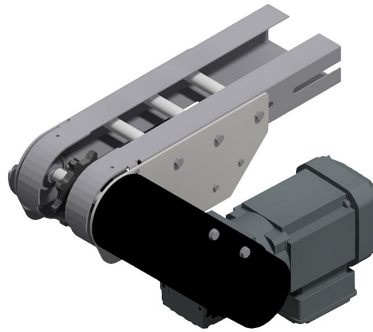


Series 540

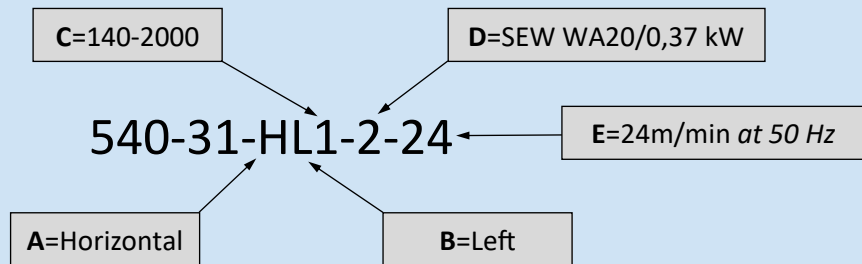
**540-31**

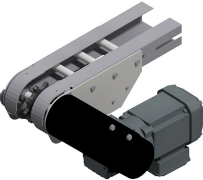
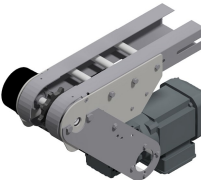
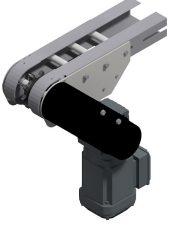
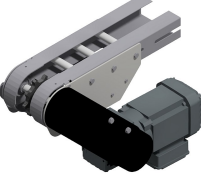
Drive unit with suspended motor with chain transmission S540.  
IP55 and stainless steel hollow shaft.  
Configuration of default drive unit **540-31-ABC-D-E**.

If needed, roller transfers and brackets can be found on page 90.



Order example



<b>A:</b> <u>Assembly position</u>	<b>B:</b> <u>Placement</u>	<b>C:</b> <u>Conveyor chain</u>	<b>D:</b> <u>Motor/gear</u> <u>Power</u>	<b>E:</b> <u>Speed m/min</u> <u>at 50 Hz</u>
<b>H:</b> Horizontal 	<b>R:</b> Right 	<b>1:</b> 140-2000 140-2010	<b>1:</b> SEW WA20 0,25 kW	8    18    34 10    20    47 12    25 15    29
		<b>2:</b> 140-2081		<b>2:</b> SEW WA20 0,37 kW
<b>V:</b> Vertical 	<b>L:</b> Left 	<b>3:</b> 140-2079 140-2110 140-2179	<b>3:</b> SEW WA30 0,37 kW	6    15    30 8    18    34 10    20    48 12    25
		<b>4:</b> SEW WA30 0,55 kW		15    34 18    48 20 30
				<b>W</b> Without motor/gear. Assembly position and shaft prepared for selected place- ment. More options →

Series 540

Cont. 540-31

<b>D:</b> <b>Motor/gear</b> <b>Power</b>	<b>E:</b> <b>Speed m/min</b> <b>at 50 Hz</b>		
<b>5:</b> SEW SA37 0,37 kW	8 10 13 16	19 25 27 31	36
<b>6:</b> Lenze G500-B45 0,18 kW	13 15 17 19	21 25 28 31	36 41 45
<b>7:</b> Lenze G500-B110 0,18 kW	8 10 12 15	19 21 25 33	38 41
<b>8:</b> Lenze G500-B45 0,25 kW	19 22 25 28	32 36 41 46	
<b>9:</b> Lenze G500-B110 0,25 kW	11 12 15 19	21 25 27 31	38 42 46
<b>10:</b> Lenze G500-B45 0,37 kW	28 32 37 42	47	

<b>D:</b> <b>Motor/gear</b> <b>Power</b>	<b>E:</b> <b>Speed m/min</b> <b>at 50 Hz</b>		
<b>11:</b> Lenze G500-B110 0,37 kW	11 13 16 20	22 25 28 32	34 39 43 47
<b>12:</b> Lenze G500-B45 0,55 kW	26 28 32 37	42 47	
<b>13:</b> Lenze G500-B110 0,55 kW	17 20 22 25	28 31 39 43	47
<b>14:</b> Lenze Smart Motor G500-B45 max 0,47 kW	Adjustable speed 6-31 m/min		
<b>15:</b> Lenze Smart Motor G500-B45 max 0,47 kW	Adjustable speed 10-50 m/min		
	<b>W</b> Without motor/gear. Assembly position and shaft prepared for selected place- ment.		

If needed, roller transfers and brackets can be found on page 90.

## Series 540

## Cont. 540-31

## Bracket for roller transfer and connecting strip between conveyors

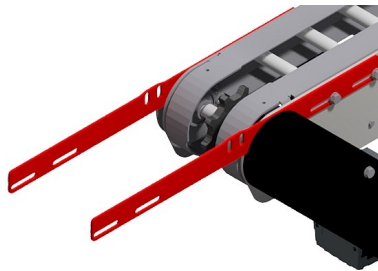
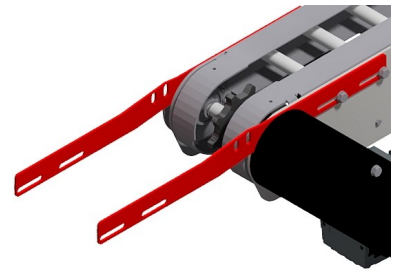
The following configuration is listed on order number 540-31-ABC-D-E- **with one additional letter**.

**A** = 500-7112.

**B** = 500-7120.

**C** = 500-7130, 7 mm level difference.

Order example: 540-31-HL1-2-24-A

**A****B****C**

## Bracket for roller transfer and connecting strip including roller transfer

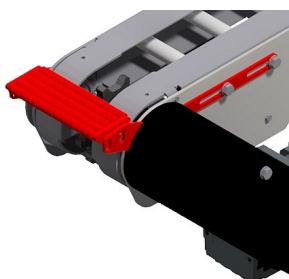
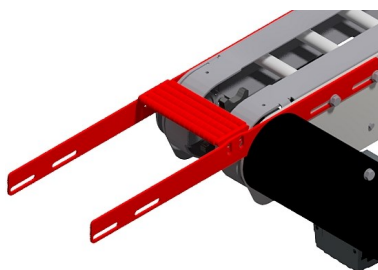
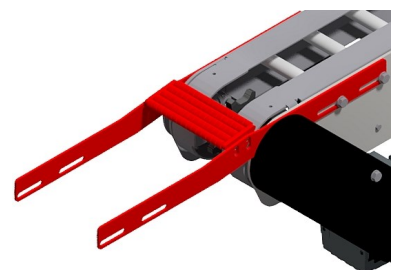
The following configuration is listed on the existing order number 540-31-ABC-D-E- **with two extra letters**.

**AR** = 500-7112 and 500-7020

**BR** = 500-7120 and 500-7020

**CR** = 500-7130 and 500-7020, 7 mm level difference.

Order example: 540-31-HL1-2-24-AR

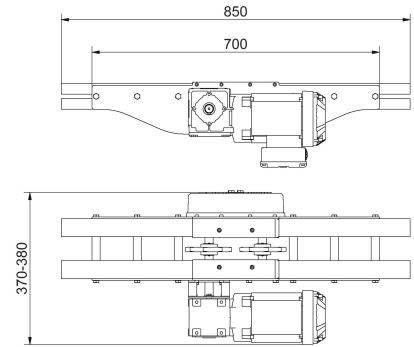
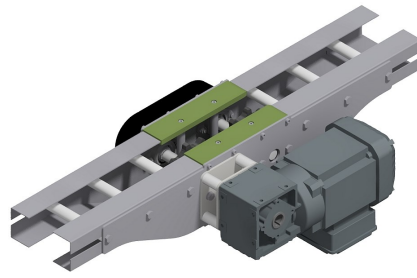
**AR****BR****CR**

Series 540

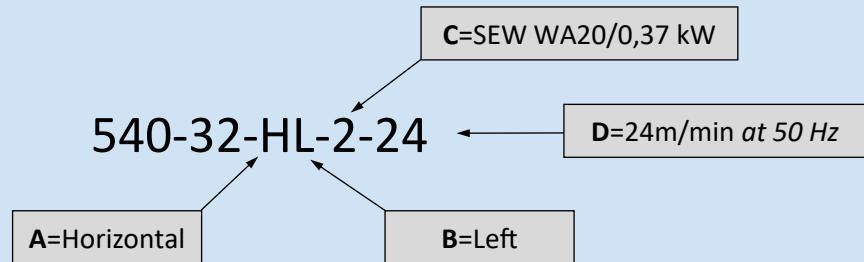
**540-32**

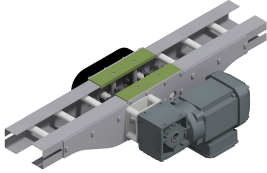
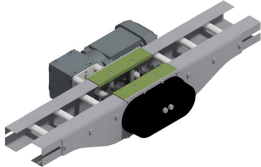
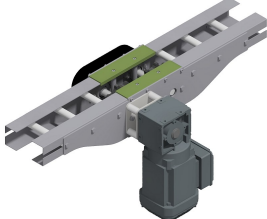
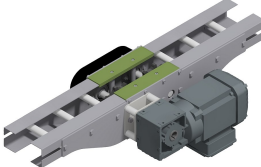
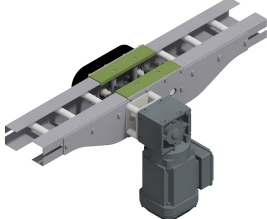
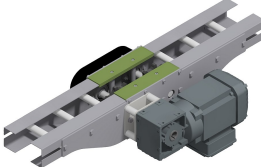
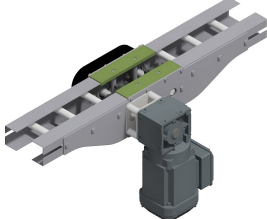
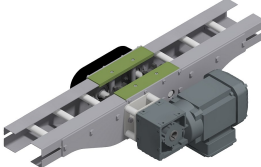
Drive unit with intermediate motor and returnchain S540.  
IP55 and stainless steel hollow shaft.  
Configuration of default drive unit  
**540-32-AB-C-D.**

Use 540-4055 as front idler unit



Order example



<b>A:</b> <u>Assembly position</u>	<b>B:</b> <u>Placement</u>	<b>C:</b> <u>Motor/gear</u> <u>Power</u>	<b>D:</b> <u>Speed m/min</u> <u>at 50 Hz</u>		
<b>H: Horizontal</b>  	<b>R: Right</b>  	<b>1:</b> SEW WA20 0,25 kW	8	18	34
			10	20	47
<b>V: Vertical</b>  	<b>L: Left</b>  	<b>2:</b> SEW WA20 0,37 kW	18	34	
			20	48	
<b>V: Vertical</b>  	<b>L: Left</b>  	<b>3:</b> SEW WA30 0,37 kW	6	15	30
			8	18	34
<b>V: Vertical</b>  	<b>L: Left</b>  	<b>4:</b> SEW WA30 0,55 kW	10	20	48
			12	25	
			15	34	
			18	48	
			20		
			30		
			<b>W</b> Without motor/gear. Assembly position and shaft prepared for selected place- ment. More options →		



Series 540

Cont. 540-32

<b>C:</b> <b>Motor/gear</b> <b>Power</b>	<b>D:</b> <b>Speed m/min</b> <b>at 50 Hz</b>		
<b>5:</b> SEW SA37 0,37 kW	8 10 13 16	19 25 27 31	36
<b>6:</b> Lenze G500-B45 0,18 kW	13 15 17 19	21 25 28 31	36 41 45
<b>7:</b> Lenze G500-B110 0,18 kW	8 10 12 15	19 21 25 33	38 41
<b>8:</b> Lenze G500-B45 0,25 kW	19 22 25 28	32 36 41 46	
<b>9:</b> Lenze G500-B110 0,25 kW	11 12 15 19	21 25 27 31	38 42 46
<b>10:</b> Lenze G500-B45 0,37 kW	28 32 37 42	47	

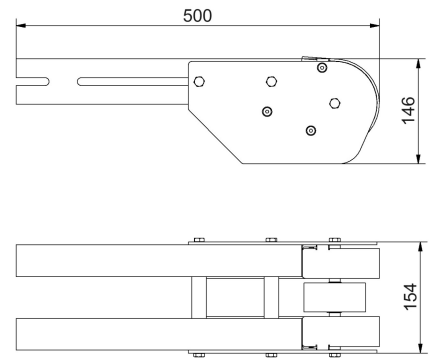
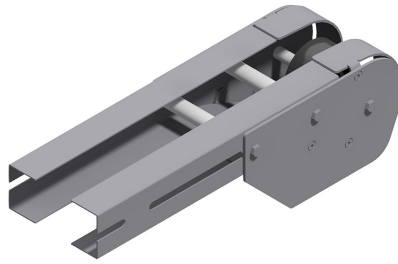
<b>C:</b> <b>Motor/gear</b> <b>Power</b>	<b>D:</b> <b>Speed m/min</b> <b>at 50 Hz</b>		
<b>11:</b> Lenze G500-B110 0,37 kW	11 13 16 20	22 25 28 32	34 39 43 47
<b>12:</b> Lenze G500-B45 0,55 kW	26 28 32 37	42 47	
<b>13:</b> Lenze G500-B110 0,55 kW	17 20 22 25	28 31 39 43	47
<b>14:</b> Lenze Smart Motor G500-B45 max 0,47 kW	Adjustable speed 6-31 m/min		
<b>15:</b> Lenze Smart Motor G500-B45 max 0,47 kW	Adjustable speed 10-50 m/min		
	<b>W</b> Without motor/gear. Assembly position and shaft prepared for selected place- ment.		

Series 540

### Idler unit

Standard idler unit for S540  
Vikt 5600 g

Part.no 540-4000



### Bracket for roller transfer and bracket including roller transfer

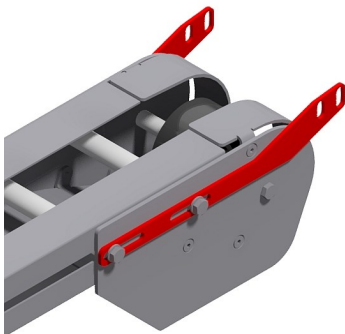
The following configuration is listed on the existing order number 540-4000- with **one/or two additional letter**.

**A** = 500-7111

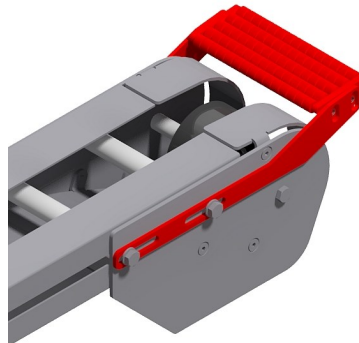
**AR** = 500-7111 and 500-7020

Order example: 540-4000-A

**A**



**AR**



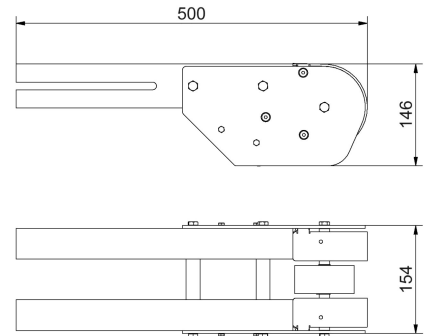
Series 540

**Idler unit**

Used as front idler unit for conveyor where drive unit 540-32 is included.  
Configuration of idler unit

**Part.no 540-4055-A.**

If needed, roller transfers and brackets can be found on page 95.



**Order example**

540-4055-1

A=140-2000

**A:**

**Conveyor chain**

1:	2:	3:
140-2000 140-2010	140-2081	140-2079 140-2110 140-2179

## Series 540

### Cont. 540-4055-A

#### Bracket for roller transfer and connecting strip between conveyors

The following configuration is listed on order number 540-4055-A- **with one additional letter**.

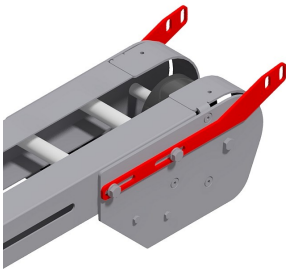
**A** = 500-7112.

**B** = 500-7120.

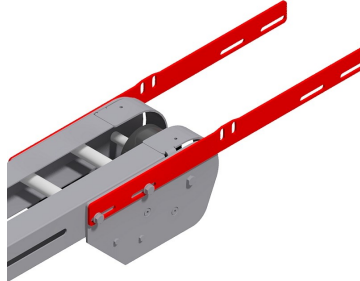
**C** = 500-7130, 7 mm level difference.

Order example: 540-4055-1-A

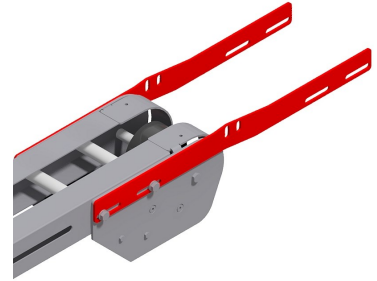
**A**



**B**



**C**



#### Bracket for roller transfer and connecting strip including roller transfer

The following configuration is listed on the existing order number 540-4055-A- **with two extra letters**.

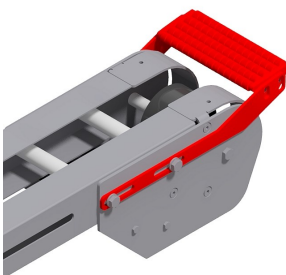
**AR** = 500-7112 and 500-7020.

**BR** = 500-7120 and 500-7020.

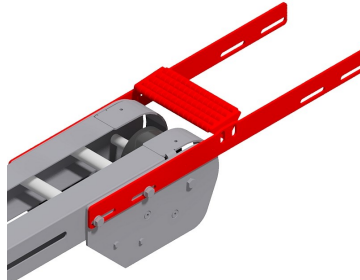
**CR** = 500-7130 and 500-7020, 7 mm level difference.

Order example: 540-4055-1-AR

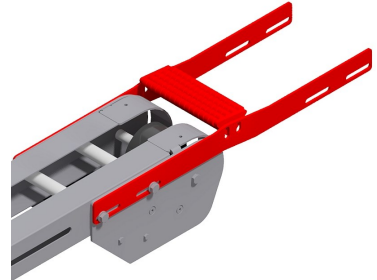
**AR**



**BR**



**CR**



Series 540

### Wheel bend

Standard wheel bend S540 whit R200 mm  
Stainless steel and wheel in plastic

Configuration of default wheel bend  
**Part.no 540-5055-A**

A= angle on bend

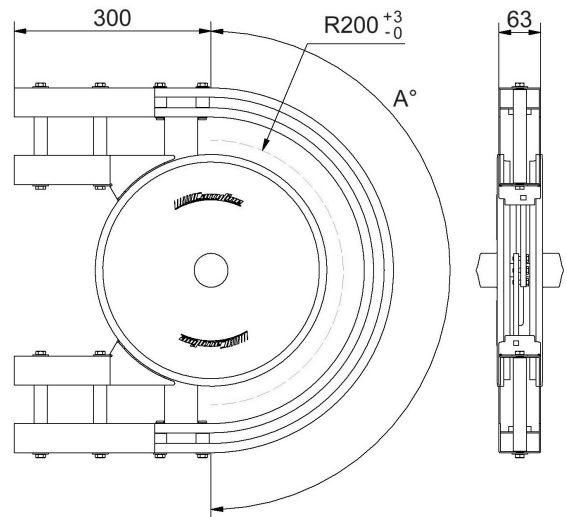
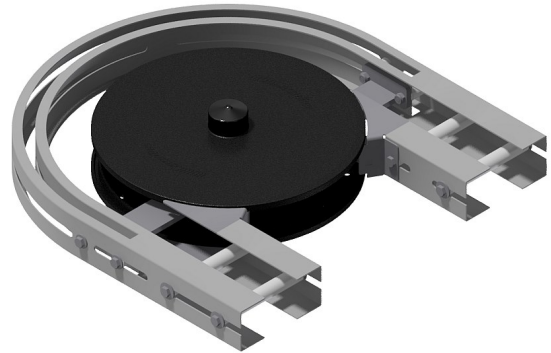
Standard angles for R200
A = 45°
A = 90°
A = 180°

Other angles are manufactured on request  
Conneting strip 500-4320 is ordered separately

Order example

**540-5055-45**

A= 45°

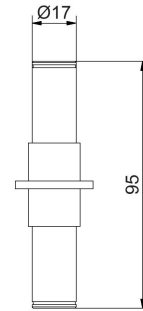


## Series 540

**Shaft**

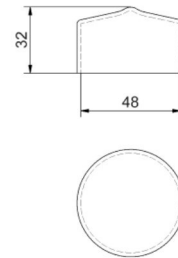
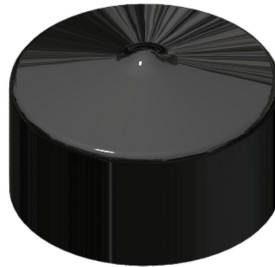
For wheel bend R200  
Stainless steel  
Weight 165 g

Part.no 14261\_2

**Plastic cover**

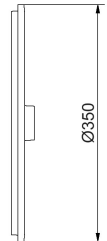
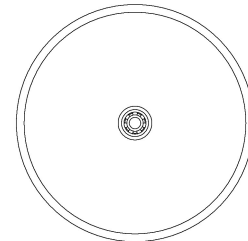
For disc Ø350  
Black PVC  
Weight 15 g

Part.no 830-5062

**Disc**

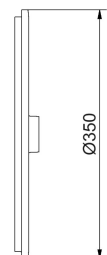
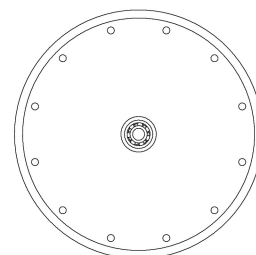
Upper disc for wheel bend R191  
Complete with bearing SS6203-2RS  
Black nylon  
Weight 825 g

Part.no 530-5060

**Disc**

Lower disc for wheel bend R200  
Complete with bearing SS6203-2RS  
Black nylon  
Weight 800 g

Part.no 17590



Series 540

**Plain bend**

Standard plain bend S540  
Stainless steel

Plain bend configuration  
**Part.no 540-5375-A-B**

A= bend radius  
B= angle on bend  
The following radius and angles are standard

A = Radius	B = Angle
300 mm	15°, 30°, 45°, 90°, 180°
400 mm	15°, 30°, 45°, 90°, 180°
600 mm	15°, 30°, 45°, 90°, 180°
900 mm	15°, 30°, 45°, 90°, 180°

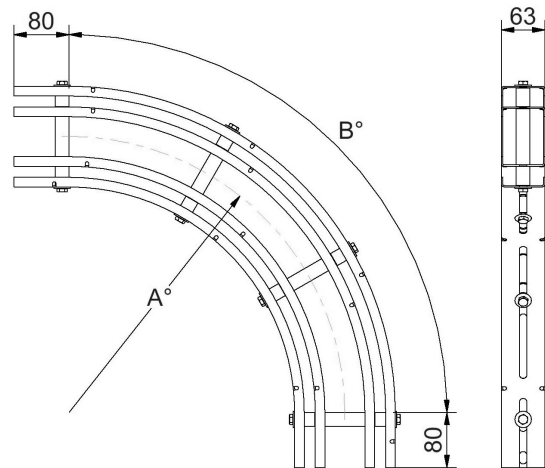
Other radius and angles are manufactured on request

Order example

**540-5375-600-90**

A= 600 mm

B= 90°



Series 540

### Vertical bend

Standard vertical bend R400  
Stainless steel

Vertical bend configuration  
**Part.no 540-5645-A**

A= angle on bend

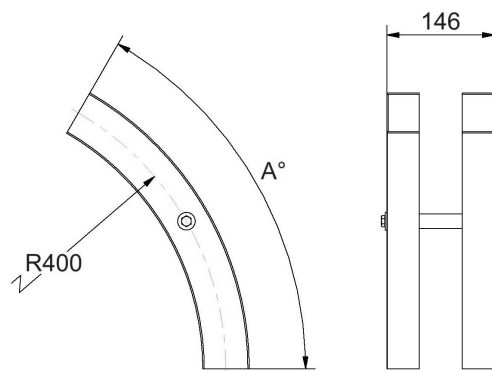
Standard angles for R400
A = 10°
A = 15°
A = 20°
A = 30°
A = 45°
A = 60°
A = 90°

Other radius and angles are manufactured on request  
Minimum 10°

Order example

540-5645-45

A= 45°





Series 540

### Vertical bend

Standard vertical bend R860  
Stainless steel

Vertical bend configuration  
**Part.no 540-5695-A**

A= angle on bend

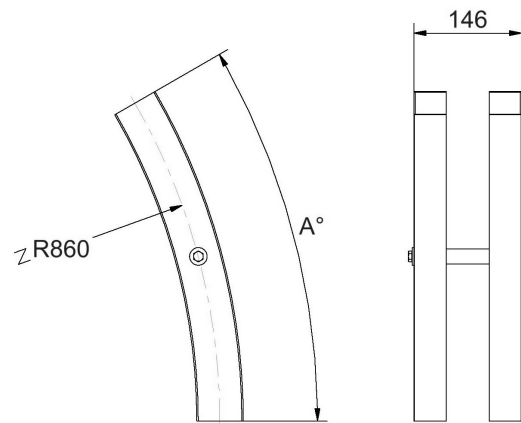
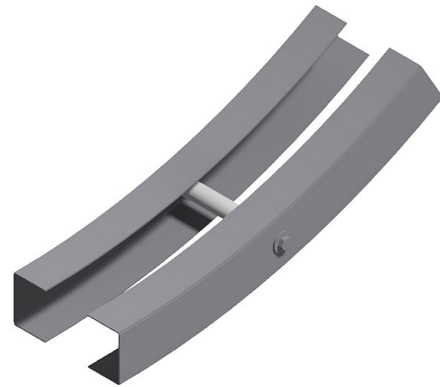
Standard angles for R860
A = 5°
A = 10°
A = 15°
A = 20°
A = 30°
A = 45°
A = 60°
A = 90°

Other radius and angles are manufactured on request  
Minimum 5°

Order example

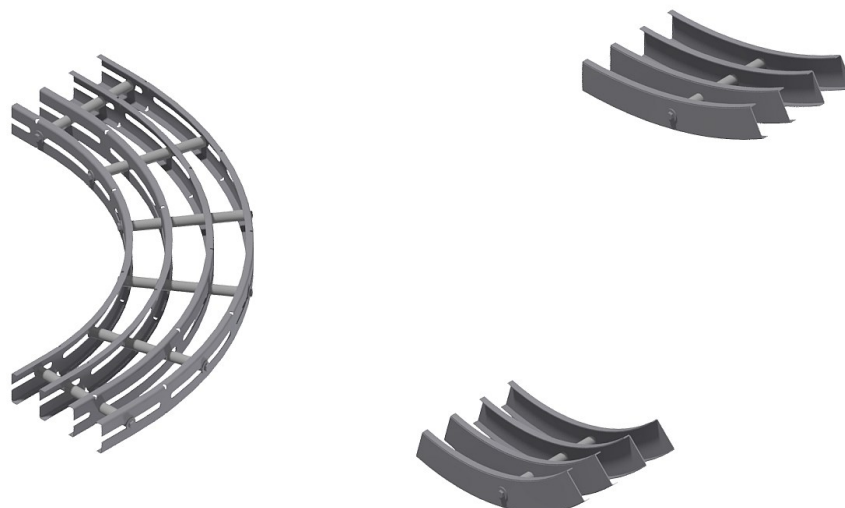
540-5695-45

A= 45°

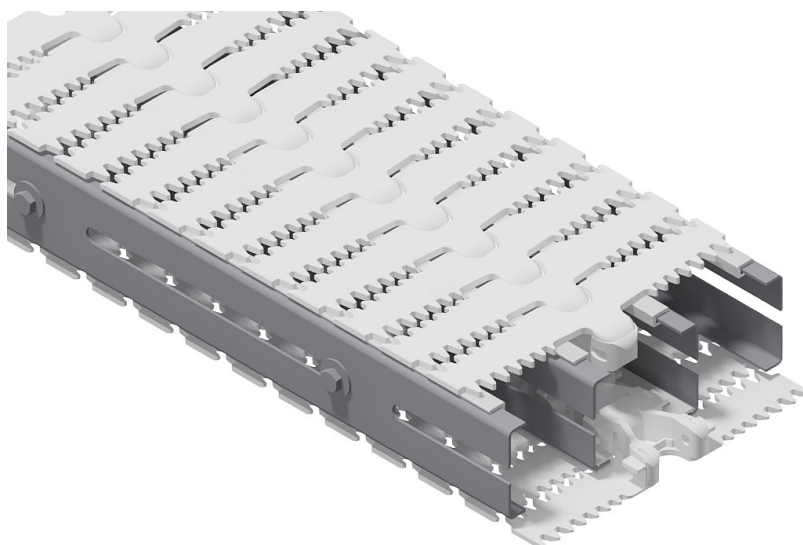




# S560



Series 560



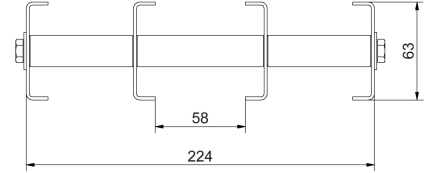
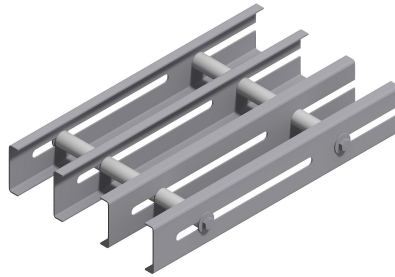
Technical specification S560	
Width of chain	220 mm
Chain pitch	38 mm
Width conveyor profile	224 mm
Height conveyor	80 mm
Radius conveyor chain on the drive and idler unit	70 mm
Max. permitted traction on the conveyor chain	1250 N
Weight conveyor	≈ 11,5 kg/m **
Recommended maximum load on conveyor	≈ 200 kg *
Recommended maximum load	≈ 20 kg/m *
Recommended maximum length of conveyor	≈ 20 m *
Recommended maximum speed	40 m/min
Minimum radius on horizontal bend	R 600 mm
Vertical bend radius	R 400 mm and R 860 mm
Motor	0,18 - 0,55 kW
Noise level	< 70 dB (A)
Chain material	Acetal
Conveyor profile material	Stainless steel
* Recommended maximum length depends on the design, load and number of bends.	
** The weight of the conveyor depends on which type of chain, guide rail and guide rail bracket.	

Series 560

### Conveyor profile S560

Stainless steel  
Weight 5900 g/m  
Length 2.48 m

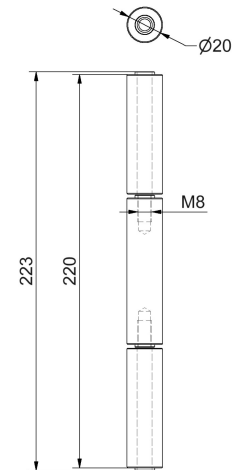
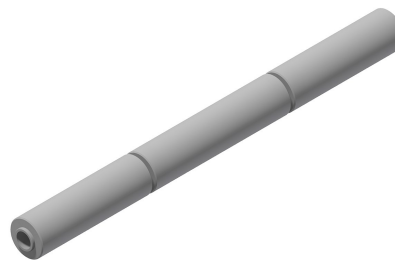
**Part.no 560-1000**



### Spacer

Spacers for 560-1000  
Stainless steel  
Weight 480 g

**Part.no 560-1031**



Including stainless steel fasteners  
**Part.no 560-1035**

## Conveyor chain S220

Acetal, nylon and stainless steel.

Standard version top flights are made of white acetal which is food approved

Allowed traction force 1250 N.

Specified dimensions may vary up to 2%

On request, some chains and top flight can be delivered in non-standard material.

Enter the following additional letter.

L = Low friction

F = Flocked

Order example 220-2000L

## Overlap chain

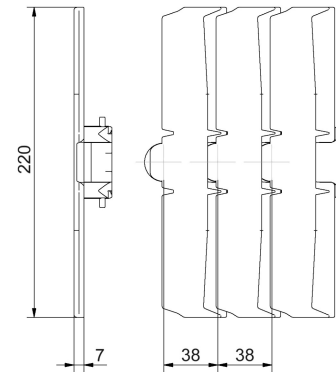
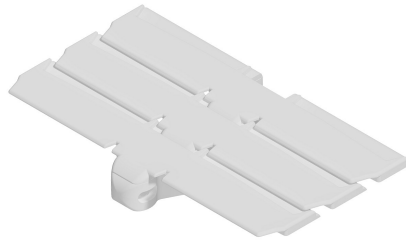
Slat standard chain for S220 and S560

Weight 2340 g/m

Qty 27 st/m

**Part no. 220-2300**

**Part no. 220-2300-BLUE**



Top flight for overlap chain

Weight 54 g

**Part no. 220-2301**

**Part no. 220-2301-BLUE**

## Series 560

**Finger chain**

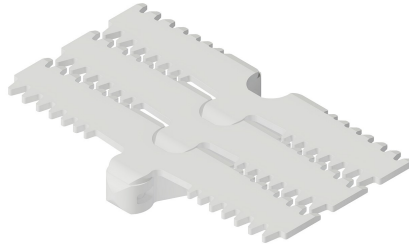
Slat standard chain for S220 and S560

Weight 2160 g/m

Qty 27pcs/m

**Part no. 220-2000**

**Part no. 220-2000-BLUE**

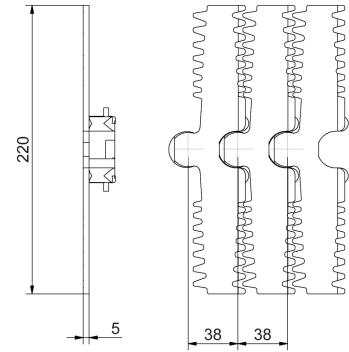


Top flight for standard chain

Weight 46 g

**Part no. 220-2001**

**Part no. 220-2001-BLUE**

**Finger chain friction**

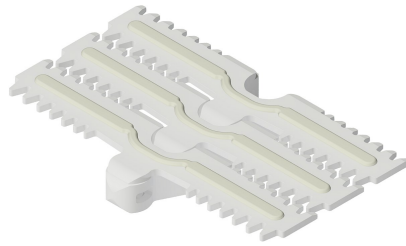
Standard chain with friction top flight  
for S220 and S560

Weight 2211 g/m

Qty 27 pcs/m

**Part no. 220-2010**

**Part no. 220-2010-BLUE**

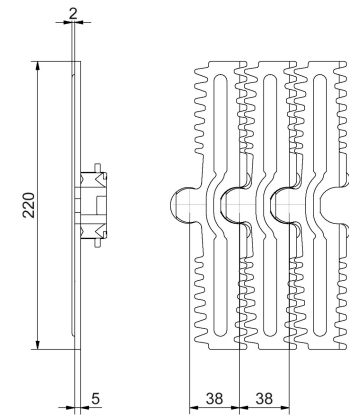


Top flight for standard chain

Weight 47 g

**Part no. 220-2011**

**Part no. 220-2011-BLUE**

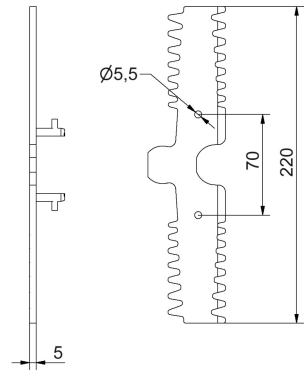
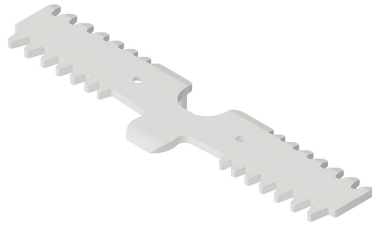


Series 560

**Top flight for carrier**

For S220 and S560  
Vikt 43 g

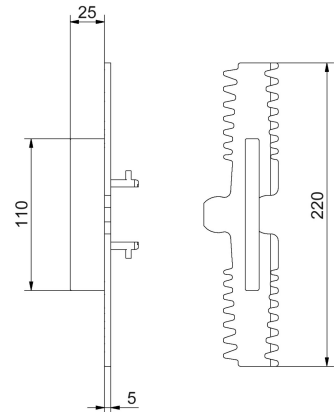
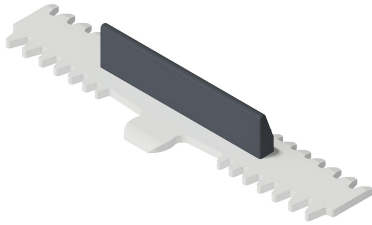
**Part.no 220-2075**



**Top flight with carrier**

For S220 and S560  
Vikt 70 g

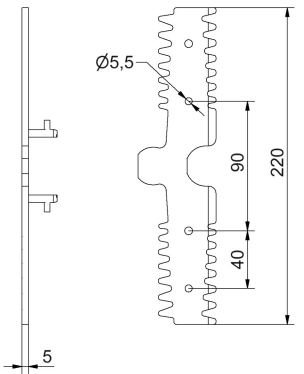
**Part.no 220-2081**



**Top flight for carrier**

For S220 and S560  
Vikt 42 g

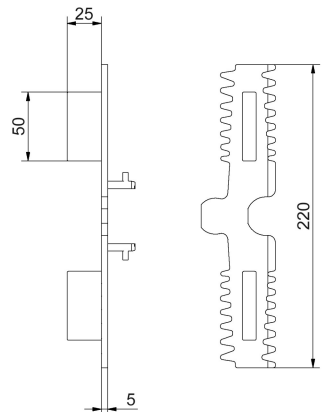
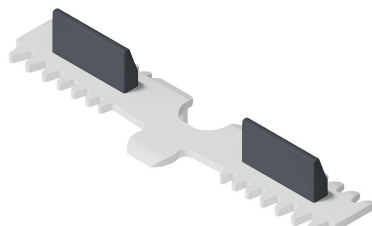
**Part.no 220-2085**



**Top flight with carrier**

For S220 and S560  
Vikt 75 g

**Part.no 220-2086**



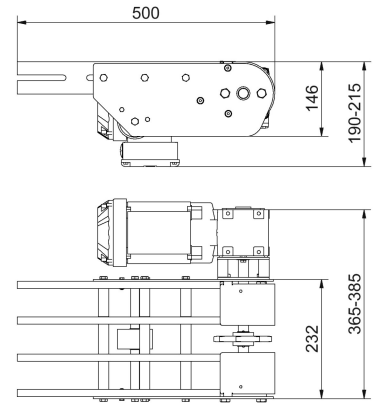
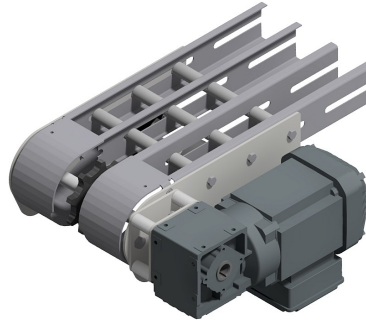
Series 560

**560-30**

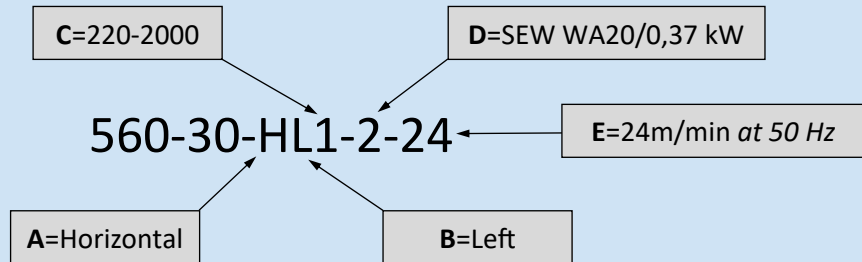
Drive unit with direct transmission S560.  
IP55 and stainless steel hollow shaft.  
Configuration of default drive with direct transmission **560-30-ABC-D-E**.

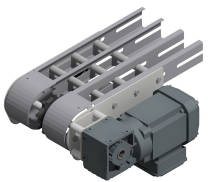
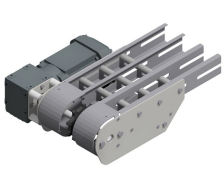
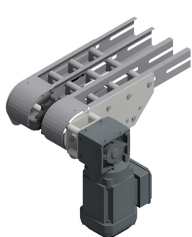
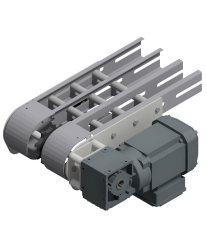
If needed, roller transfers and brackets can be found on page 108.

Weight motor 10250 g  
Weight with motor 17250-23250 g



Order example



<b>A:</b> <u>Assembly position</u>	<b>B:</b> <u>Placement</u>	<b>C:</b> <u>Conveyor chain</u>	<b>D:</b> <u>Motor/gear</u> <u>Power</u>	<b>E:</b> <u>Speed m/min</u> <u>at 50 Hz</u>
<b>H:</b> Horizontal  	<b>R:</b> Right  	<b>1:</b> 220-2000 220-2010	<b>1:</b> SEW WA20 0,25 kW	8    18    34 10    20 12    25 15    29
		<b>2:</b> 220-2081		<b>2:</b> SEW WA20 0,37 kW
<b>V:</b> Vertical  	<b>L:</b> Left  	<b>3:</b> 220-2086	<b>3:</b> SEW WA30 0,37 kW	6    15    30 8    18    34 10    20 12    25
				<b>4:</b> SEW WA30 0,55 kW
				<b>W</b> Without motor/gear. Assembly position and shaft prepared for selected placement. More options →



Series 560

Cont. 560-30

<b>D:</b> <b>Motor/gear</b> <b>Power</b>	<b>E:</b> <b>Speed m/min</b> <b>at 50 Hz</b>		
<b>5:</b> SEW SA37 0,37 kW	8 10 13 16	19 25 27 31	36
<b>6:</b> Lenze G500-B45 0,18 kW	13 15 17 19	21 25 28 31	36
<b>7:</b> Lenze G500-B110 0,18 kW	8 10 12 15	19 21 25 33	38
<b>8:</b> Lenze G500-B45 0,25 kW	19 22 25 28	32 36	
<b>9:</b> Lenze G500-B110 0,25 kW	11 12 15 19	21 25 27 31	38
<b>10:</b> Lenze G500-B45 0,37 kW	28 32 37		

<b>D:</b> <b>Motor/gear</b> <b>Power</b>	<b>E:</b> <b>Speed m/min</b> <b>at 50 Hz</b>		
<b>11:</b> Lenze G500-B110 0,37 kW	11 13 16 20	22 25 28 32	34 39
<b>12:</b> Lenze G500-B45 0,55 kW		26 28 32 37	
<b>13:</b> Lenze G500-B110 0,55 kW	17 20 22 25	28 31 39	
<b>14:</b> Lenze Smart Motor G500-B45 max 0,47 kW			Adjustable speed 6-31 m/min
<b>15:</b> Lenze Smart Motor G500-B45 max 0,47 kW			Adjustable speed 10-50 m/min
			<b>W</b> Without motor/gear. Assembly position and shaft prepared for selected place- ment.

If needed, roller transfers and brackets can be found on page 108.

## Series 560

### Cont. 560-30

#### Bracket for roller transfer and connecting strip between conveyors

The following configuration is listed on order number 560-30-ABC-D-E- **with one additional letter.**

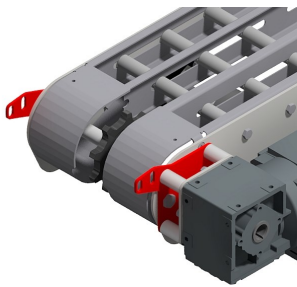
**A** = 500-3117L/R and 500-7112.

**B** = 500-3119L/R and 500-7120.

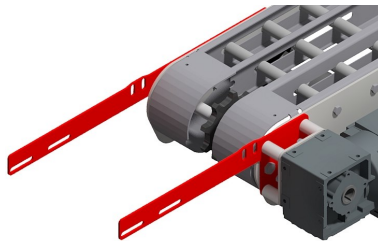
**C** = 500-3118L/R and 500-7130, 7 mm level difference.

Order example: 560-30-HL1-2-24-A

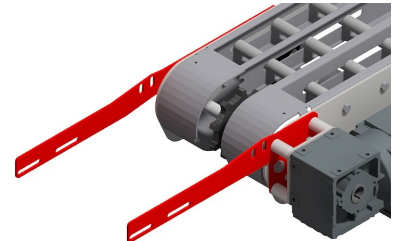
**A**



**B**



**C**



#### Bracket for roller transfer and connecting strip including roller transfer

The following configuration is listed on the existing order number 560-30-ABC-D-E- **with two extra letters.**

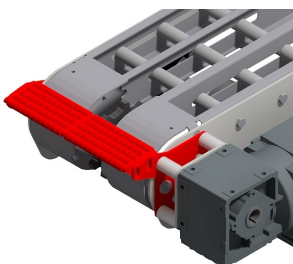
**AR** = 500-3117R/L, 500-7112 and 500-7020.

**BR** = 500-3119R/L, 500-7120 and 500-7020.

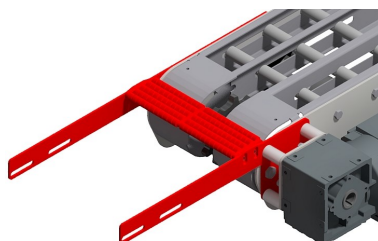
**CR** = 500-3118R/L, 500-7130 and 500-7020, 7 mm level difference.

Order example: 560-30-HL1-2-24-AR

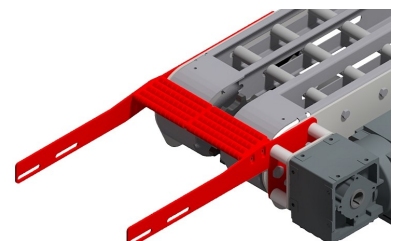
**AR**



**BR**



**CR**

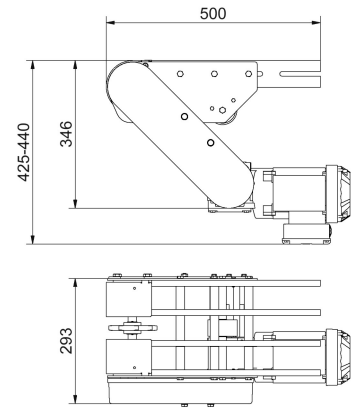
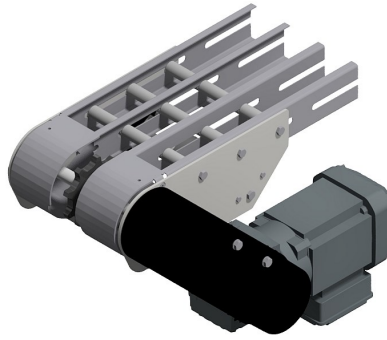


Series 560

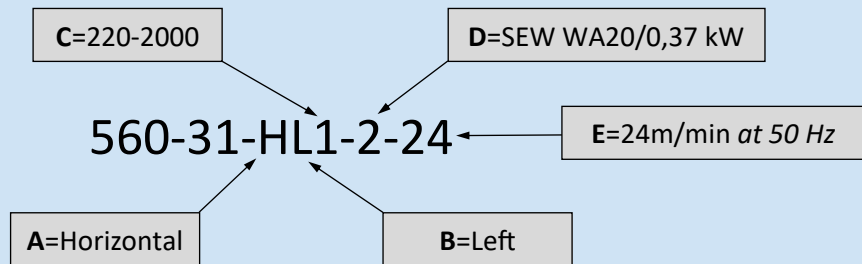
**560-31**

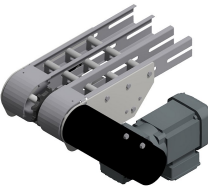
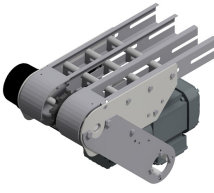
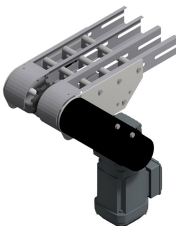
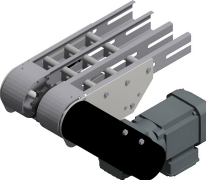
Drive unit with suspended motor with chain transmission S560.  
IP55 and stainless steel hollow shaft.  
Configuration of default drive unit **560-31-ABC-D-E**.

If needed, roller transfers and brackets can be found on page 111.



Order example



<b>A:</b> <u>Assembly position</u>	<b>B:</b> <u>Placement</u>	<b>C:</b> <u>Conveyor chain</u>	<b>D:</b> <u>Motor/gear</u> <u>Power</u>	<b>E:</b> <u>Speed m/min</u> <u>at 50 Hz</u>
<b>H:</b> Horizontal  	<b>R:</b> Right  	<b>1:</b> 220-2000 220-2010	<b>1:</b> SEW WA20 0,25 kW	8    18    34 10    20 12    25 15    29
		<b>2:</b> 220-2081		<b>2:</b> SEW WA20 0,37 kW
<b>V:</b> Vertical  	<b>L:</b> Left  	<b>3:</b> 220-2086	<b>3:</b> SEW WA30 0,37 kW	6    15    30 8    18    34 10    20 12    25
				<b>4:</b> SEW WA30 0,55 kW
				<b>W</b> Without motor/gear. Assembly position and shaft prepared for selected placement. More options →

Series 560

Cont. 560-31

<u>D:</u> <u>Motor/gear</u> <u>Power</u>	<u>E:</u> <u>Speed m/min</u> <u>at 50 Hz</u>		
<b>5:</b> SEW SA37 0,37 kW	8 10 13 16	19 25 27 31	36
<b>6:</b> Lenze G500-B45 0,18 kW	13 15 17 19	21 25 28 31	36
<b>7:</b> Lenze G500-B110 0,18 kW	8 10 12 15	19 21 25 33	38
<b>8:</b> Lenze G500-B45 0,25 kW	19 22 25 28	32 36	
<b>9:</b> Lenze G500-B110 0,25 kW	11 12 15 19	21 25 27 31	38
<b>10:</b> Lenze G500-B45 0,37 kW	28 32 37		

<u>D:</u> <u>Motor/gear</u> <u>Power</u>	<u>E:</u> <u>Speed m/min</u> <u>at 50 Hz</u>		
<b>11:</b> Lenze G500-B110 0,37 kW	11 13 16 20	22 25 28 32	34 39
<b>12:</b> Lenze G500-B45 0,55 kW		26 28 32 37	
<b>13:</b> Lenze G500-B110 0,55 kW	17 20 22 25	28 31 39	
<b>14:</b> Lenze Smart Motor G500-B45 max 0,47 kW			Adjustable speed 6-31 m/min
<b>15:</b> Lenze Smart Motor G500-B45 max 0,47 kW			Adjustable speed 10-50 m/min
			<b>W</b> Without motor/gear. Assembly position and shaft prepared for selected place- ment.

If needed, roller transfers and brackets can be found on page 111.

## Series 560

### Cont. 560-31

#### Bracket for roller transfer and connecting strip between conveyors

The following configuration is listed on order number 560-31-ABC-D-E- **with one additional letter**.

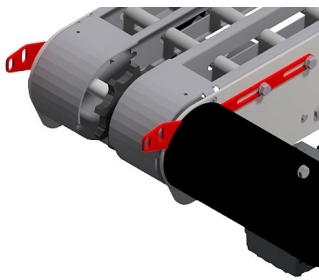
**A** = 500-7112.

**B** = 500-7120.

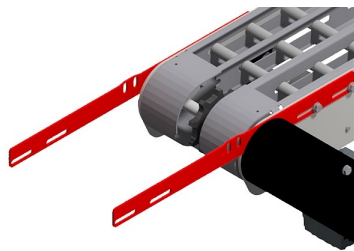
**C** = 500-7130, 7 mm level difference.

Order example: 560-31-HL1-2-24-A

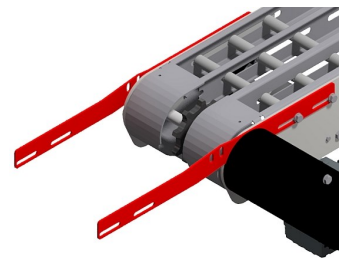
**A**



**B**



**C**



#### Bracket for roller transfer and connecting strip including roller transfer

The following configuration is listed on the existing order number 560-31-ABC-D-E- **with two extra letters**.

**AR** = 500-7112 and 500-7020

**BR** = 500-7120 and 500-7020

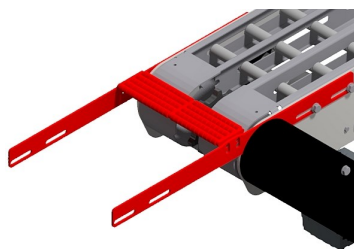
**CR** = 500-7130 and 500-7020, 7 mm level difference.

Order example: 560-31-HL1-2-24-AR

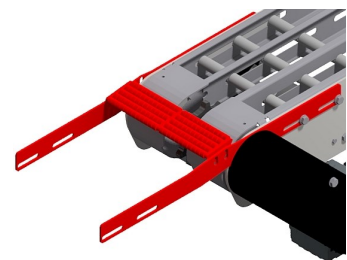
**AR**



**BR**



**CR**

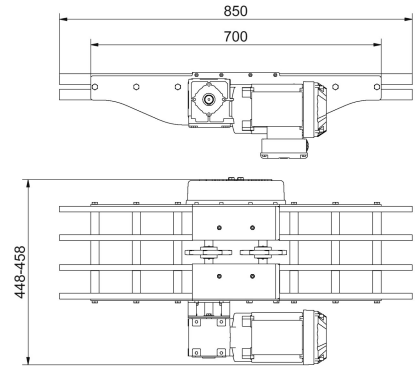
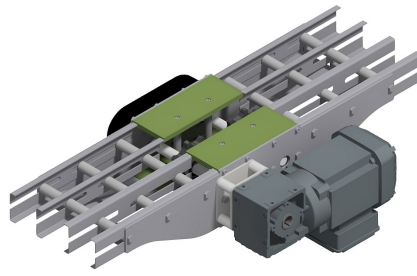


Series 560

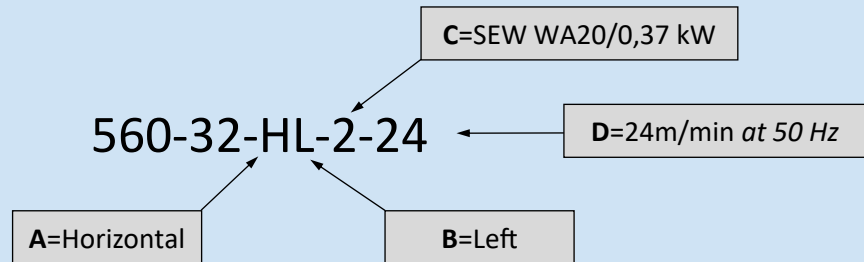
**560-32**

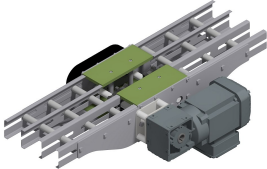
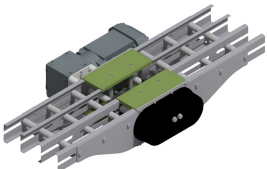
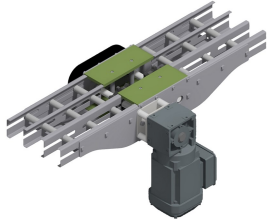
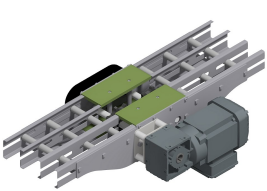
Drive unit with intermediate motor and returnchain S560.  
IP55 and stainless steel hollow shaft.  
Configuration of default drive unit  
**560-32-AB-C-D.**

Use 560-4055 as front idler unit



Order example



<u>A:</u> <b>Assembly position</b>	<u>B:</u> <b>Placement</b>	<u>C:</u> <b>Motor/gear Power</b>	<u>D:</u> <b>Speed m/min at 50 Hz</b>
<b>H: Horizontal</b>  	<b>R: Right</b>  	<b>1:</b> SEW WA20 0,25 kW	8    18    34 10    20 12    25 15    29
		<b>2:</b> SEW WA20 0,37 kW	18    34 20 25 30
<b>V: Vertical</b>  	<b>L: Left</b>  	<b>3:</b> SEW WA30 0,37 kW	6    15    30 8    18    34 10    20 12    25
		<b>4:</b> SEW WA30 0,55 kW	15    34 18 20 30
			<b>W</b> Without motor/gear. Assembly position and shaft prepared for selected place- ment. More options →

Series 560

Cont. 560-32

<b>C:</b> <b>Motor/gear</b> <b>Power</b>	<b>D:</b> <b>Speed m/min</b> <b>at 50 Hz</b>		
<b>5:</b> SEW SA37 0,37 kW	8 10 13 16	19 25 27 31	36
<b>6:</b> Lenze G500-B45 0,18 kW	13 15 17 19	21 25 28 31	36
<b>7:</b> Lenze G500-B110 0,18 kW	8 10 12 15	19 21 25 33	38
<b>8:</b> Lenze G500-B45 0,25 kW	19 22 25 28	32 36	
<b>9:</b> Lenze G500-B110 0,25 kW	11 12 15 19	21 25 27 31	38
<b>10:</b> Lenze G500-B45 0,37 kW	28 32 37		

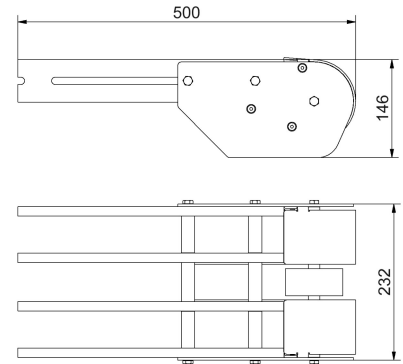
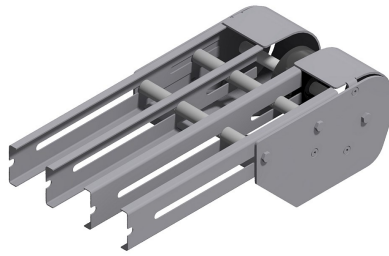
<b>C:</b> <b>Motor/gear</b> <b>Power</b>	<b>D:</b> <b>Speed m/min</b> <b>at 50 Hz</b>		
<b>11:</b> Lenze G500-B110 0,37 kW	11 13 16 20	22 25 28 32	34 39
<b>12:</b> Lenze G500-B45 0,55 kW		26 28 32 37	
<b>13:</b> Lenze G500-B110 0,55 kW	17 20 22 25	28 31 39	
<b>14:</b> Lenze Smart Motor G500-B45 max 0,47 kW			Adjustable speed 6-31 m/min
<b>15:</b> Lenze Smart Motor G500-B45 max 0,47 kW			Adjustable speed 10-50 m/min
			<b>W</b> Without motor/gear. Assembly position and shaft prepared for selected place- ment.

Series 560

### Idler unit

Standard idler unit for S560  
Weight 6250 g

Part.no 560-4000



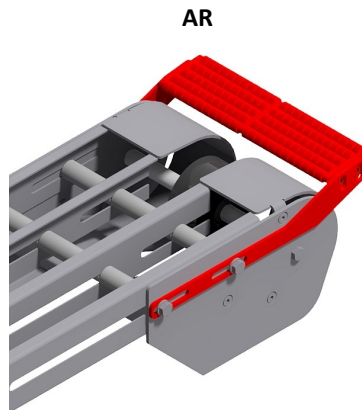
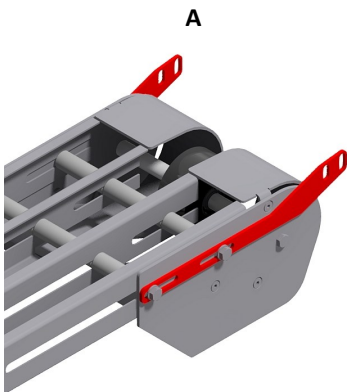
### Bracket for roller transfer and bracket including roller transfer

The following configuration is listed on the existing order number 560-4000- with **one/or two additional letter**.

**A** = 500-7111

**AR** = 500-7111 and 500-7020

Order example: 560-4000-A





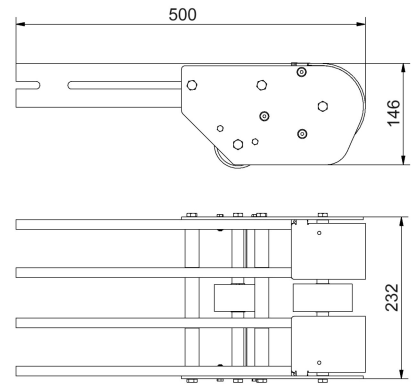
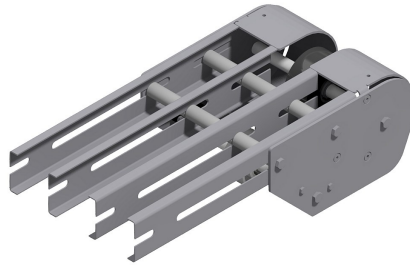
Series 560

**Idler unit**

Used as front idler unit for conveyor where drive unit 560-32 is included.  
Configuration of idler unit

**Part.no 560-4055-A.**

If needed, roller transfers and brackets can be found on page 116.



**Order example**

560-4055-1

A=220-2000

**A:**

**Conveyor chain**

1:	2:	3:
220-2000 220-2010	220-2081	220-2086

## Series 560

### Cont. 560-4055-A

#### Bracket for roller transfer and connecting strip between conveyors

The following configuration is listed on order number 560-4055-A- **with one additional letter**.

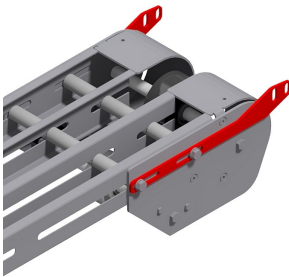
**A** = 500-7112.

**B** = 500-7120.

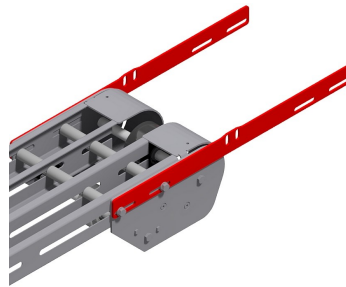
**C** = 500-7130, 7 mm level difference

Order example: 560-4055-1-A

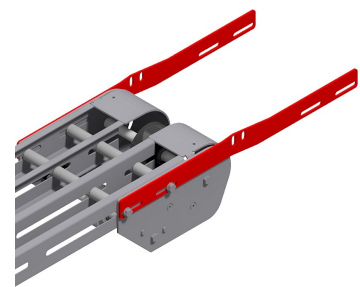
**A**



**B**



**C**



#### Bracket for roller transfer and connecting strip including roller transfer

The following configuration is listed on the existing order number 560-4055-A- **with two extra letters**.

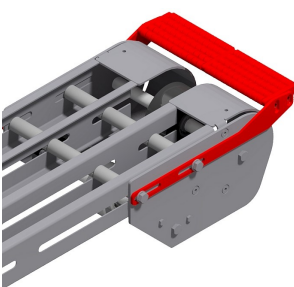
**AR** = 500-7112 and 500-7020.

**BR** = 500-7120 and 500-7020.

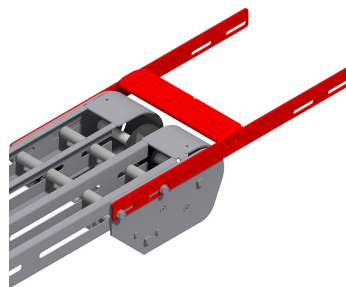
**CR** = 500-7130 and 500-7020, 7 mm level difference.

Order example: 560-4055-1-AR

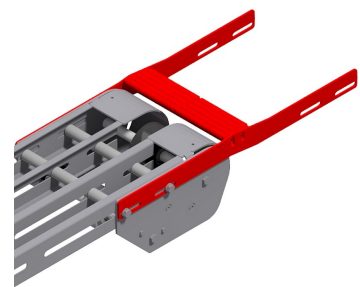
**AR**



**BR**



**CR**



Series 560

**Plain bend**

Standard plain bend S560  
Stainless steel

Plain bend configuration  
**Part.no 560-5375-A-B**

A= bend radius  
B= angle on bend  
The following radius and angles are standard



A = Radius	B = Angle
600 mm	15°, 30°, 45°, 90°, 180°
900 mm	15°, 30°, 45°, 90°, 180°

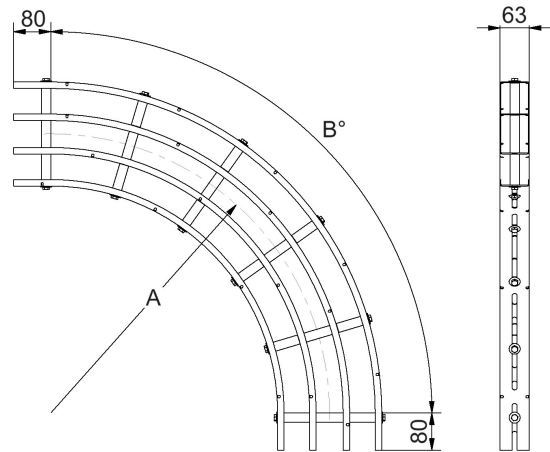
Other radius and angles are manufactured on request

Order example

**560-5375-600-90**

A= 600 mm

B= 90°



Series 560

**Vertical bend**

Standard vertical bend R400  
Stainless steel

Vertical bend configuration  
**Part.no 560-5645-A**

A= angle on bend

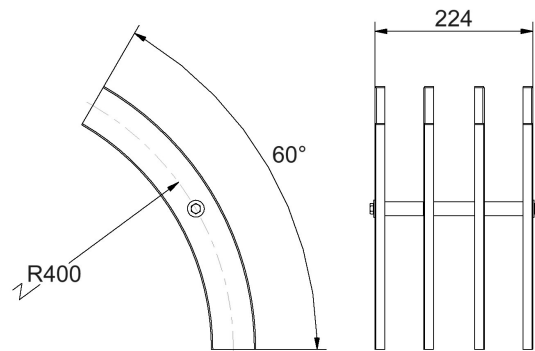
Standard angles for R400
A = 10°
A = 15°
A = 20°
A = 30°
A = 45°
A = 60°
A = 90°

Other radius and angles are manufactured on request  
Minimum 10°

Order example

**560-5645-45**

**A= 45°**



Series 560

**Vertical bend**

Standard vertical bend R860  
Stainless steel

Vertical bend configuration  
**Part.no 560-5695-A**

A= angle on bend

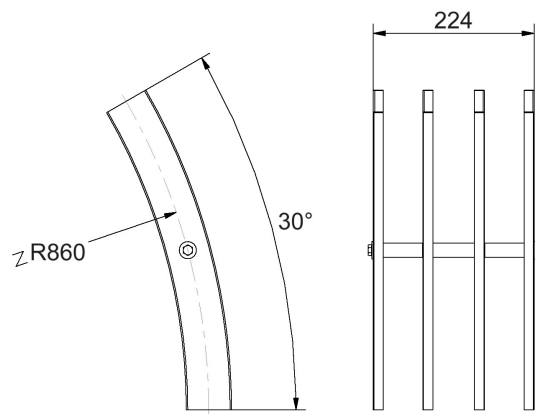
Standard angles for R860
A = 5°
A = 10°
A = 15°
A = 20°
A = 30°
A = 45°
A = 60°
A = 90°

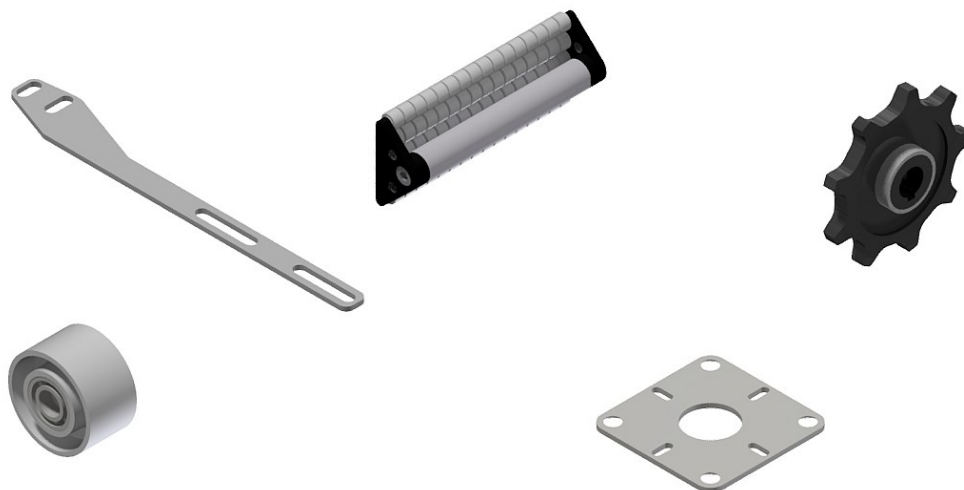
Other radius and angles are manufactured on request  
Minimum 5°

Order example

**560-5695-45**

**A= 45°**





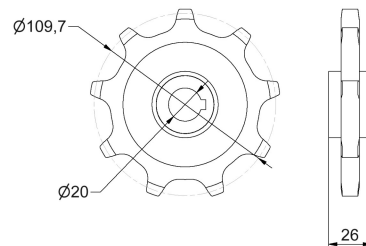
# S5900



Series 5900

**Sprocket**

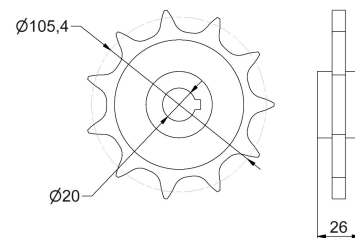
Sprocket for S530, S540 och S560  
 9 teeth  
 Black reinforced nylon and stainless steel  
 Weight 131 g



**Part.no 500-3250**

**Sprocket**

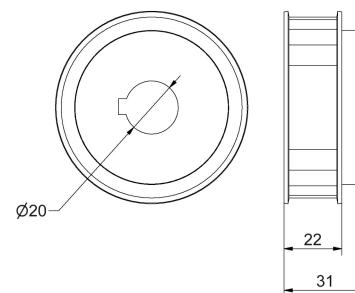
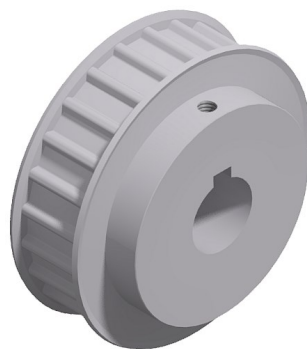
Sprocket for S520  
 11 teeth  
 Black reinforced nylon and stainless steel  
 Weight 118 g



**Part.no 500-3200**

**Timing pulley**

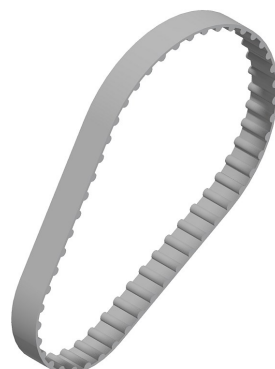
Timing pulley AT10 with flanges  
 24 teeth for S520 and S530  
 Anodized aluminum  
 Weight 240 g



**Part.no 17047**

**Timing belt**

Timing belt AT10 with length 890 mm  
 and width 16 mm for S520 and S530  
 Polyurethane  
 Weight 85 g



**Part.no 17046**

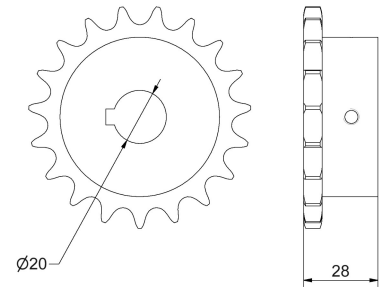
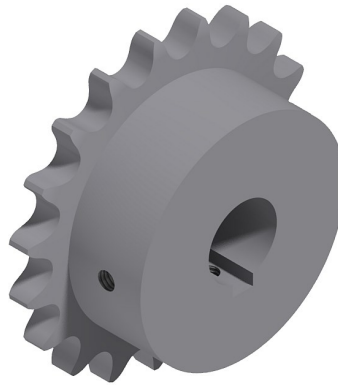
Series 5900

**Sprocket**

Sprocket for 1/2" chain and shaft  $\varnothing$ 20 mm  
 19 teeth  
 Untreated steel  
 VWeight 630 g

Stainless steel on request

**Part.no 16656**

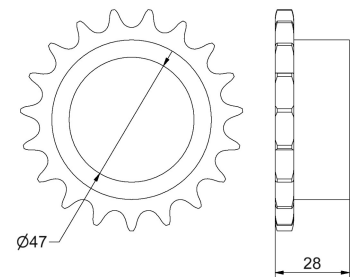


**Sprocket**

Sprocket for 1/2" chain and clamping joint  
 19 teeth  
 Untreated steel  
 Weigth 330 g

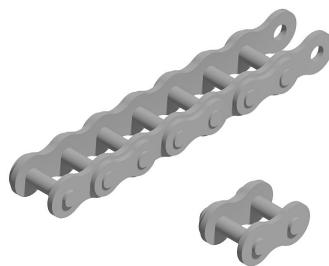
Stainless steel on request

**Part.no 16657**



**Chain**

Chain 1/2" for suspended drive, intermediate, and catenary drive unit.  
 Delivered in number of links/semi-link including chain lock.  
 Untreated steel.  
 Stainless steel on request



Part.no	Number of links
<b>16840</b>	39 links including chain lock
<b>16843</b>	39 links + semi-link including chain lock
<b>17048</b>	69 links including chain lock

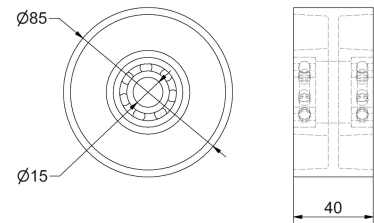


## Series 5900

**Idler wheel**

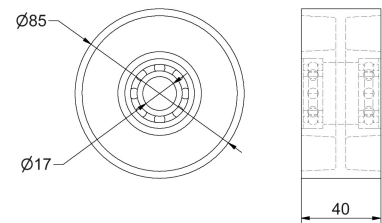
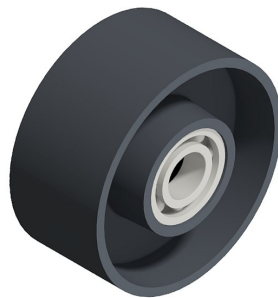
Idler wheel with bearing SS6202-2RS  
for S520, S530 and S540  
Black nylon  
Weight 175 g

**Part.no 500-3270**

**Idler wheel**

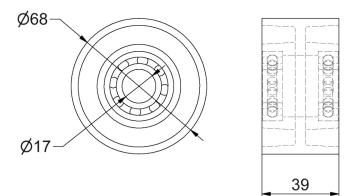
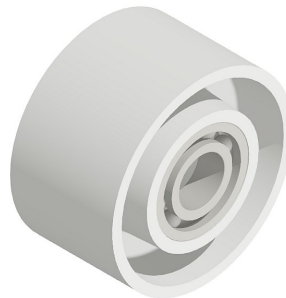
Idler wheel with bearing SS6003-2RS for  
S560  
Black nylon  
Weight 163 g

**Part.no 500-3310**

**Support wheel**

Support wheel with bearing SS6003-2RS  
for S560  
White acetal  
Weight 160 g

**Part.no 500-3320**

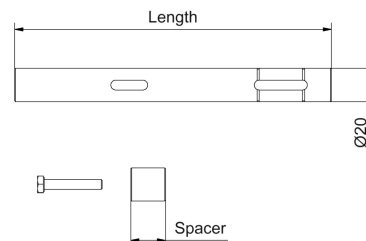
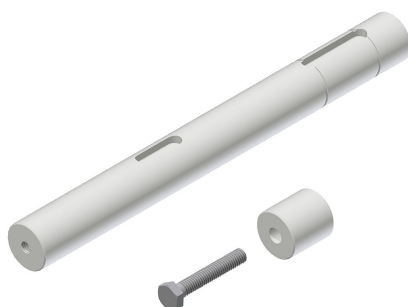


Series 5900

**Shaft for drive unit**

Shaft for SEW WA20 and Lenze B45 for drive units according to table.  
Stainless steel

SEW WA30, SA37 and Lenze B110 uses drive shaft along with correct spacer according to table.



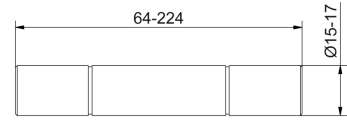
Standard drive shafts for SEW WA20 and Lenze B45			Part. No for spacers for other gears including M6 x 35	
Drive shaft Part.no	Fits drive unit	Length of drive shaft	Spacer for WA30 and B110	Spacer for SA37
13146	520-30	191 mm	15261	15262
13262	520-31/530-31 540-31/560-31	134 mm	15261	15262
17171	520-31	126 mm		
13176	520-32	238 mm	15261	15262
13160	520-32	118 mm		
13144	530-30/530-34	213 mm	15261	15262
13265	530-31	141 mm		
13177	530-32	260 mm	15261	15262
13161	530-32	138 mm		
13143	540-30	273 mm	15261	15262
16728	540-31	201 mm		
17198	540-32	320 mm	15261	15262
17199	540-32	198 mm		
13142	560-30	351 mm	15261	15262
16611	560-31	279 mm		
16852	560-32	402 mm	15261	15262
16854	560-32	275 mm		

Series 5900

**Shaft for idler unit**

Shaft for idler units according to table  
Stainless steel

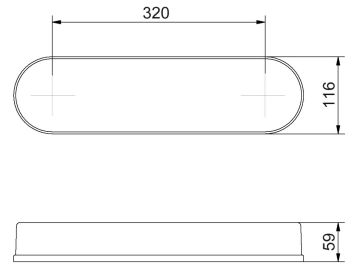
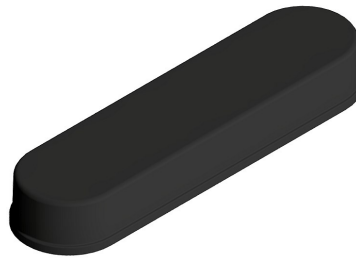
Part.no	Idler unit
<b>13800</b>	520-4000 520-4055
<b>13382</b>	530-4000 300-4055
<b>13801</b>	540-4000 540-4055
<b>13802</b>	560-4000 560-4055



**Cover**

Cover for chain transmission  
Black thermoplastic  
Weight 245 g

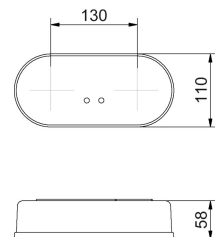
**Part.no 900-2260**



**Cover**

Cover for chain transmission  
Black thermoplastic  
Weight 120 g

**Part.no 900-2270**

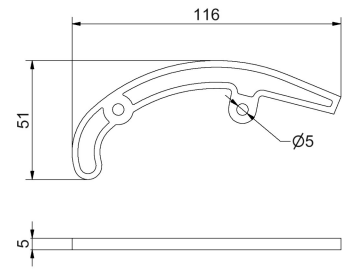


Series 5900

**Return guide**

Return guide for chain  
Black nylon  
Weight 7 g

**Part.no 900-2140**



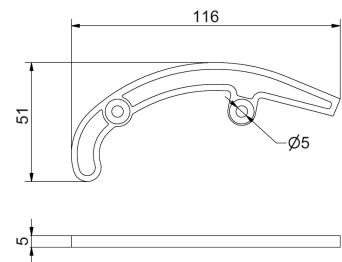
**Return guide**

Return guide for chain, with  
countersunk holes  
Black nylon  
Weight 7 g

Manufactured in version right and left.  
R = Right  
L = Left

**Part.no 900-2150R**

**Part.no 900-2150L**



**Return guide**

Return guide for chain, with  
countersunk holes and milled edges.  
Black nylon  
Weight 7 g

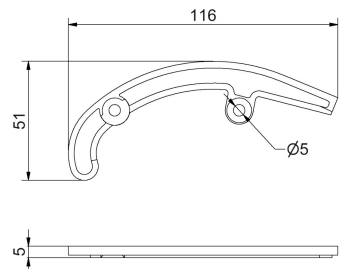
Manufactured in version right and left.  
R = Right  
L = Left

**Part no. 900-2160R**

**Part no. 900-2160L**

**Part.no 900-2160R**

**Part.no 900-2160L**

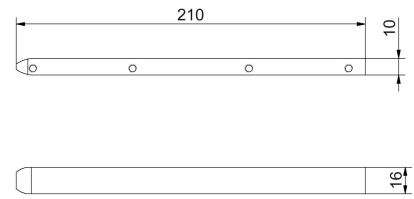
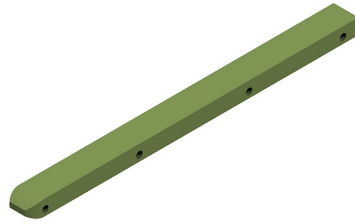


Series 5900

**Slide bar**

Slide bar for intermediate drive unit  
S520 och S530  
Green amide plastic  
Weight 40 g

**Part.no 500-2136**

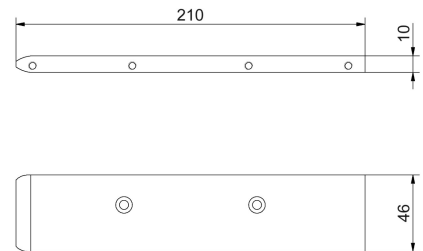
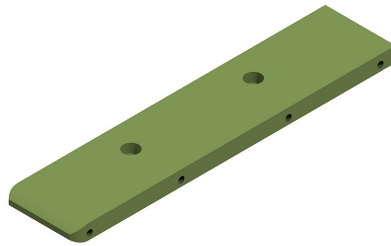


**Slide bar**

Slide bar for intermediate drive unit  
S540  
Green amide plastic  
Weight 110 g

Manufactured in version right and left.  
R = Right  
L = Left

**Part.no 500-2137R**  
**Part.no 500-2137L**

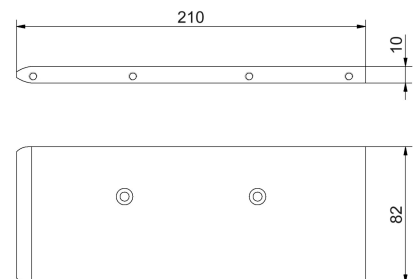
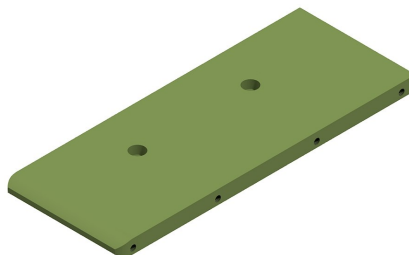


**Slide bar**

Slide bar for intermediate drive unit  
S560  
Green amide plastic  
Weight 190 g

Manufactured in version right and left.  
R = Right  
L = Left

**Part.no 500-2138R**  
**Part.no 500-2138L**

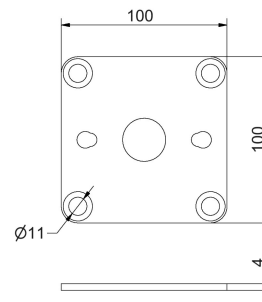


Series 5900

**Mounting plate**

Mounting plate standard.  
Stainless steel  
Weight 280 g

**Part.no 500-3077**



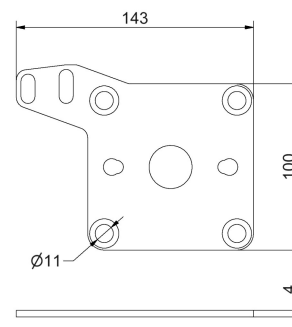
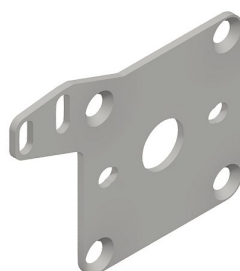
**Mounting plate**

Mounting plate with bracket for roller transfer.  
Stainless steel  
Weight 315 g

Manufactured in version right and left.  
R = Right  
L = Left

**Part.no 500-3117R**

**Part.no 500-3117L**



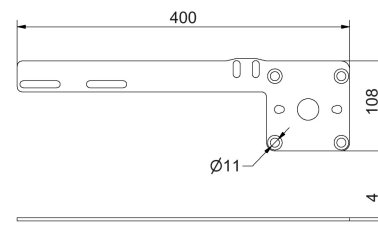
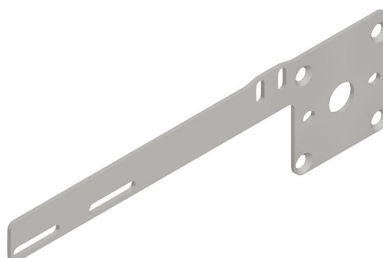
**Mounting plate**

Mounting plate with connecting strip and bracket for roller transfer.  
Stainless steel  
Weight 635 g

Manufactured in version right and left.  
R = Right  
L = Left

**Part.no 500-3119R**

**Part.no 500-3119L**



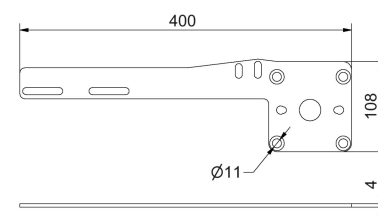
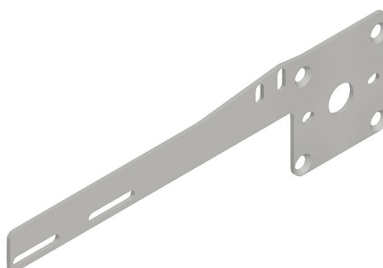
**Mounting plate**

Mounting plate with connecting strip and bracket for roller transfer and 7 mm level difference.  
Stainless steel  
Weight 650 g  
Manufactured in version right and left.

R = Right  
L = Left

**Part.no 500-3118R**

**Part.no 500-3118L**

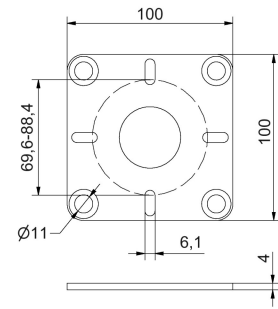
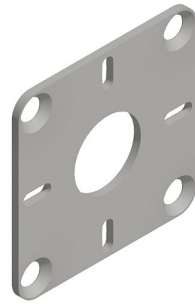


Series 5900

**Motor plate**

Motor plate for SEW WA20, WA30,  
SA37 and Lenze B45  
Stainless steel  
Weight 260 g

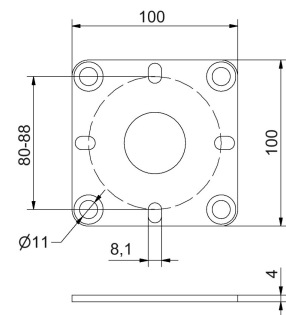
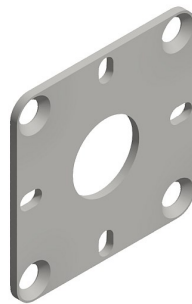
**Part.no 500-3075**



**Motor plate**

Motor plate for Lenze B110  
Stainless steel  
Weight 260 g

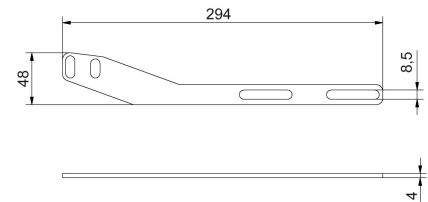
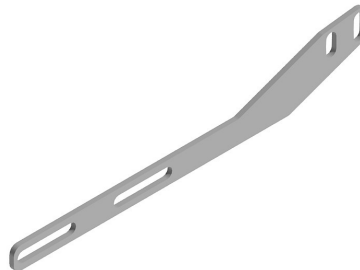
**Part.no 500-3076**



**Bracket**

Bracket for roller transfer for idler unit  
Stainless steel  
Weight 180 g

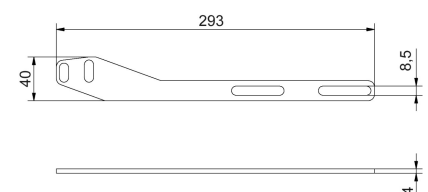
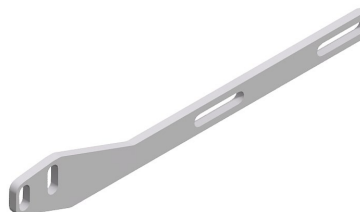
**Part.no 500-7111**



**Bracket**

Bracket for roller transfer for drive unit  
Stainless steel  
Weight 180 g

**Part.no 500-7112**

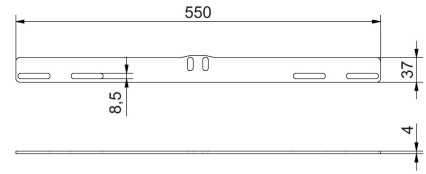
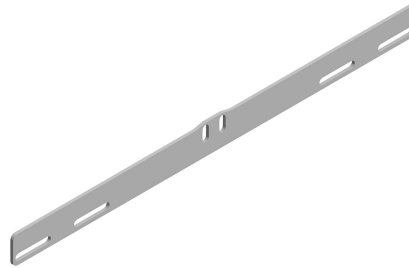


Series 5900

### Connecting strip

Connecting strip between conveyors  
Stainless steel  
Weight 605 g

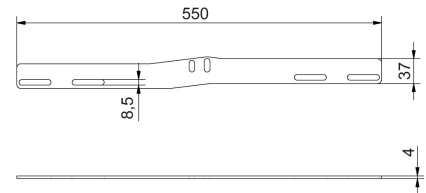
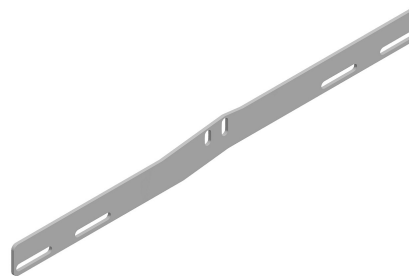
**Part.no 500-7120**



### Connecting strip

Connecting strip between conveyors  
with 7 mm level difference  
Stainless steel  
Weight 610 g

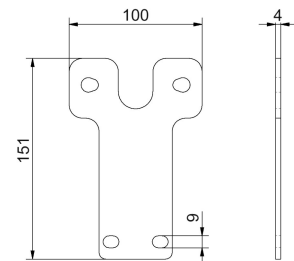
**Part.no 500-7130**



### Conveyor bracket

Conveyor bracket for drive unit  
Stainless steel  
Weight 290 g

**Part.no 500-4365**

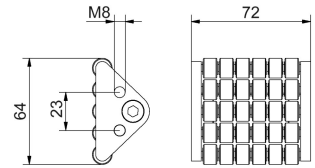




Series 5900

### Roller transfer

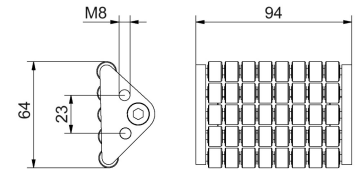
Roller transfer for S520  
Reinforced nylon, acetal and stainless steel  
Weight 157 g



**Part.no 500-7000**

### Roller transfer

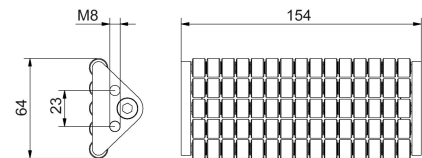
Roller transfer for S530  
Reinforced nylon, acetal and stainless steel  
Weight 195 g



**Part.no 500-7010**

### Roller transfer

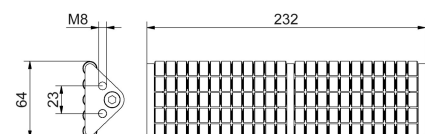
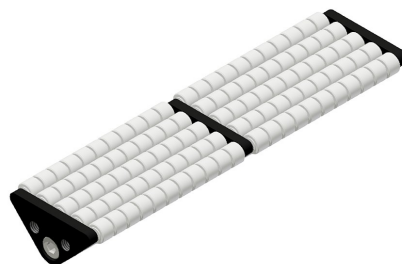
Roller transfer for S540  
Reinforced nylon, acetal and stainless steel  
Weight 305 g



**Part.no 500-7020**

### Roller transfer

Roller transfer for S560  
Reinforced nylon, acetal and stainless steel  
Weight 443 g

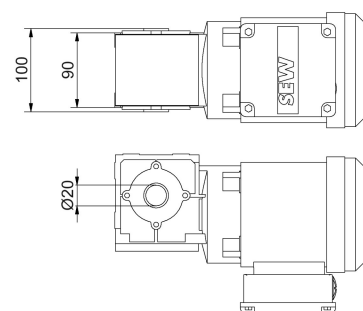
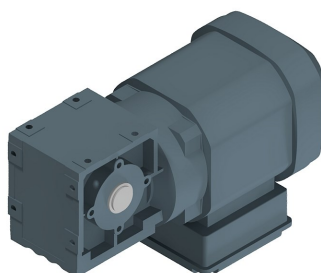


**Part.no 500-7030**

Series 5900

**SEW WA20 with motor**

SEW WA20 with motor.  
IE3, IP55 and stainless steel hollow shaft.  
Enter output rpm according to table when ordering.  
Other add-on on request.  
Weight 7000-8800 g



**Order example**

500-4025/53

Rpm

Part no. for WA20	Power	Rpm	Speed at 50 Hz m/min	Ratio
500-4025	0,25 kW	23	8	60
500-4025	0,25 kW	29	10	48
500-4025	0,25 kW	36	12	39
500-4025	0,25 kW	43	15	32,5
500-4025	0,25 kW	51	18	27,5
500-4025	0,25 kW	57	20	24,5
500-4025	0,25 kW	72	25	19,5
500-4025	0,25 kW	85	29	16,5
500-4025	0,25 kW	98	34	14,33
500-4025	0,25 kW	137	47	10,25
500-4025	0,25 kW	171	59	8,2
Part no. for WA20	Power	Rpm	Speed at 50 Hz m/min	Ratio
500-4030	0,37 kW	51	18	27,5
500-4030	0,37 kW	58	20	24,5
500-4030	0,37 kW	73	25	19,5
500-4030	0,37 kW	86	30	16,5
500-4030	0,37 kW	99	34	14,33
500-4030	0,37 kW	138	48	10,25
500-4030	0,37 kW	173	59	8,2

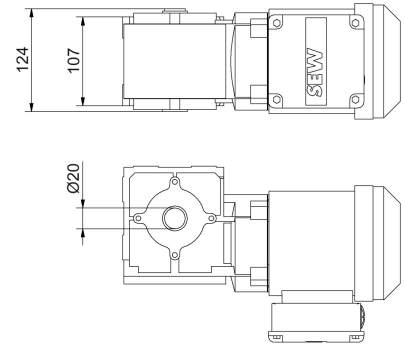
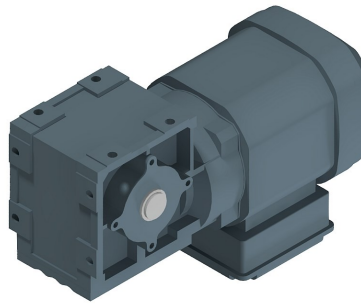
Series 5900

**SEW WA30 with motor**

SEW WA30 with motor.  
IE3, IP55 and stainless steel hollow shaft.

Enter output rpm according to table when ordering.

Other add-on on request  
Weight 11000-13000 g



**Order example**

500-4040/56

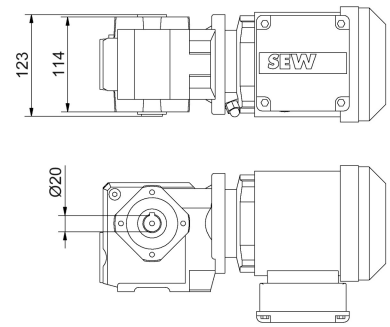
Rpm

Part no. for WA30	Power	Rpm	Speed at 50 Hz m/min	Ratio
500-4040	0,37 kW	19	6	75
500-4040	0,37 kW	24	8	60
500-4040	0,37 kW	29	10	48
500-4040	0,37 kW	36	12	39
500-4040	0,37 kW	44	15	32,5
500-4040	0,37 kW	51	18	27,5
500-4040	0,37 kW	58	20	24,5
500-4040	0,37 kW	73	25	19,5
500-4040	0,37 kW	86	30	16,33
500-4040	0,37 kW	99	34	14,33
500-4040	0,37 kW	138	48	10,25
500-4040	0,37 kW	173	59	8,2
Part no. for WA30	Power	Rpm	Speed at 50 Hz m/min	Ratio
500-4045	0,55 kW	44	15	32,5
500-4045	0,55 kW	52	18	27,5
500-4045	0,55 kW	59	20	24,5
500-4045	0,55 kW	87	30	16,33
500-4045	0,55 kW	100	34	14,33
500-4045	0,55 kW	140	48	10,25
500-4045	0,55 kW	175	60	8,2

Series 5900

**SEW SA37 with motor**

SEW SA37 with motor.  
 IE3, IP55 and stainless steel hollow shaft.  
 Enter output rpm according to table when ordering.  
 Other add-on on request  
 Weight 13000 g



**Order example**

500-4050/54

Rpm

Part no. for SA37	Power	Rpm	Speed at 50 Hz m/min	Ratio
500-4050	0,37 kW	22	8	63,33
500-4050	0,37 kW	28	10	51,3
500-4050	0,37 kW	38	13	37,66
500-4050	0,37 kW	46	16	30,68
500-4050	0,37 kW	56	19	25,38
500-4050	0,37 kW	71	25	19,89
500-4050	0,37 kW	78	27	18,24
500-4050	0,37 kW	91	31	15,53
500-4050	0,37 kW	106	36	13,39

Series 5900

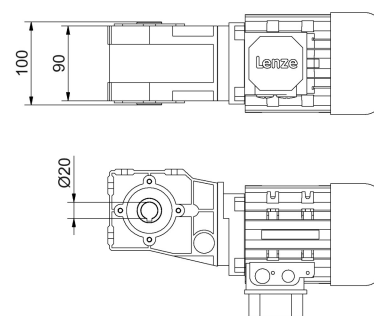
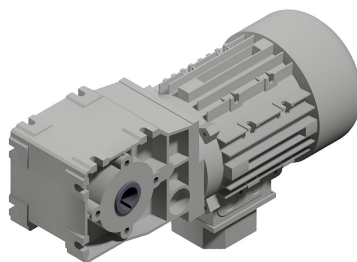
**Lenze B45 with motor**

Lenze G500-B45 with motor.  
IE2, IP55 and stainless steel hollow shaft.

Enter output rpm according to table when ordering.

Other add-on on request

Weight 7000-9300 g



**Order example**

**Rpm**

**500-4210/55**

Part no. for G500-B45	Power	Rpm	Speed at 50 Hz m/min	Ratio
500-4210	0,18 kW	36	13	37,48
500-4210	0,18 kW	42	15	32,59
500-4210	0,18 kW	47	17	28,8
500-4210	0,18 kW	55	19	25,05
500-4210	0,18 kW	61	21	22,27
500-4210	0,18 kW	71	25	19,36
500-4210	0,18 kW	79	28	17,37
500-4210	0,18 kW	90	31	15,11
500-4210	0,18 kW	102	36	13,38
500-4210	0,18 kW	117	41	11,64
500-4210	0,18 kW	130	45	10,46
Part no. for G500-B45	Power	Rpm	Speed at 50 Hz m/min	Ratio
500-4211	0,25 kW	55	19	25,05
500-4211	0,25 kW	62	22	22,27
500-4211	0,25 kW	71	25	19,36
500-4211	0,25 kW	79	28	17,37
500-4211	0,25 kW	91	32	15,11
500-4211	0,25 kW	102	36	13,38
500-4211	0,25 kW	118	41	11,64
500-4211	0,25 kW	131	46	10,46

More options →

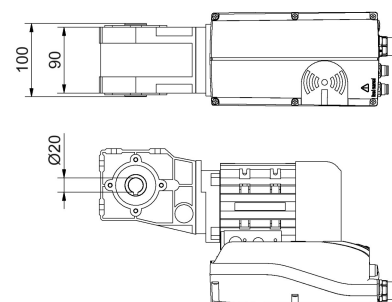
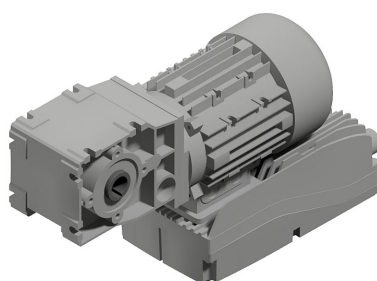
Series 5900

Cont. Lenze G500-B45 with motor

Part no. for G500-B45	Power	Rpm	Speed at 50 Hz m/min	Ratio
<b>500-4212</b>	0,37 kW	<b>81</b>	28	17,37
<b>500-4212</b>	0,37 kW	<b>93</b>	32	15,11
<b>500-4212</b>	0,37 kW	<b>105</b>	37	13,38
<b>500-4212</b>	0,37 kW	<b>121</b>	42	11,64
<b>500-4212</b>	0,37 kW	<b>135</b>	47	10,46
<b>500-4212</b>	0,37 kW	<b>155</b>	54	9,1
Part no. for G500-B45	Power	Rpm	Speed at 50 Hz m/min	Ratio
<b>500-4213</b>	0,55 kW	<b>73</b>	26	19,36
<b>500-4213</b>	0,55 kW	<b>81</b>	28	17,37
<b>500-4213</b>	0,55 kW	<b>93</b>	32	15,11
<b>500-4213</b>	0,55 kW	<b>105</b>	37	13,38
<b>500-4213</b>	0,55 kW	<b>121</b>	42	11,64
<b>500-4213</b>	0,55 kW	<b>135</b>	47	10,46

**Lenze B45 with Smart motor**

Lenze G500-B45 with Smart motor and 0,47 kW.  
 Configurable with NFC for variable speeds.  
 IE2, IP55 and stainless steel hollow shaft.  
 Weight 8800 g



Part no. for G500-B45 Smart motor	Power	Rpm	Speed at 50 Hz m/min	Ratio
<b>500-4214</b>	0,47 kW	<b>17-90</b>	6-31	28,08
<b>500-4215</b>	0,47 kW	<b>29-150</b>	10-50	17,37

Series 5900

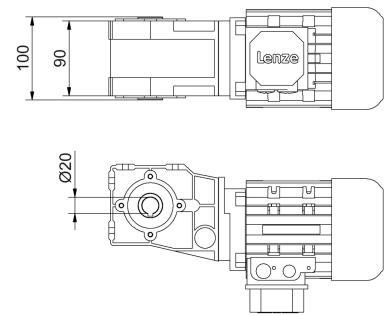
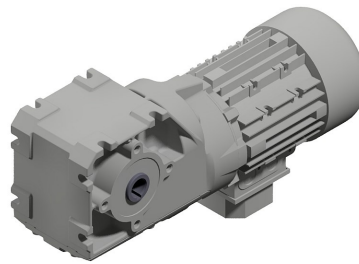
**Lenze B110 with motor**

Lenze G500-B110 with motor.  
IE2, IP55 and stainless steel hollow shaft.

Enter output rpm according to table when ordering.

Other add-on on request

Weight 8600-10000 g



**Order example**

**Rpm**

**500-4216/54**

Part no. for G500-B110	Power	Rpm	Speed at 50 Hz m/min	Ratio
<b>500-4216</b>	0,18 kW	<b>26</b>	8	52,69
<b>500-4216</b>	0,18 kW	<b>28</b>	10	48,16
<b>500-4216</b>	0,18 kW	<b>34</b>	12	40
<b>500-4216</b>	0,18 kW	<b>43</b>	15	31,91
<b>500-4216</b>	0,18 kW	<b>54</b>	19	25,18
<b>500-4216</b>	0,18 kW	<b>61</b>	21	22,48
<b>500-4216</b>	0,18 kW	<b>70</b>	25	19,55
<b>500-4216</b>	0,18 kW	<b>94</b>	33	14,6
<b>500-4216</b>	0,18 kW	<b>108</b>	38	12,69
<b>500-4216</b>	0,18 kW	<b>119</b>	41	11,44
Part no. for G500-B110	Power	Rpm	Speed at 50 Hz m/min	Ratio
<b>500-4217</b>	0,25 kW	<b>30</b>	11	46
<b>500-4217</b>	0,25 kW	<b>34</b>	12	40
<b>500-4217</b>	0,25 kW	<b>43</b>	15	31,91
<b>500-4217</b>	0,25 kW	<b>54</b>	19	25,18
<b>500-4217</b>	0,25 kW	<b>61</b>	21	22,48
<b>500-4217</b>	0,25 kW	<b>70</b>	25	19,55
<b>500-4217</b>	0,25 kW	<b>77</b>	27	17,88
<b>500-4217</b>	0,25 kW	<b>88</b>	31	15,55
<b>900-4217</b>	0,25 kW	<b>108</b>	38	12,69

More options →

Series 5900

Cont. Lenze G500-B110 with motor

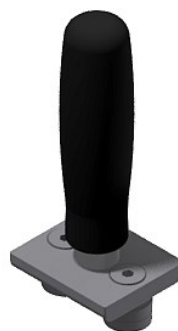
Order example

500-4218/56

Rpm

Part no. for G500-B110	Power	Rpm	Speed at 50 Hz m/min	Ratio
<b>500-4217</b>	0,25 kW	<b>120</b>	42	11,44
<b>500-4217</b>	0,25 kW	<b>131</b>	46	10,46
<b>500-4217</b>	0,25 kW	<b>151</b>	52	9,10
Part no. for G500-B110	Power	Rpm	Speed at 50 Hz m/min	Ratio
<b>500-4218</b>	0,37 kW	<b>31</b>	11	46
<b>500-4218</b>	0,37 kW	<b>38</b>	13	10,46
<b>500-4218</b>	0,37 kW	<b>44</b>	16	31,91
<b>500-4218</b>	0,37 kW	<b>56</b>	20	25,18
<b>500-4218</b>	0,37 kW	<b>63</b>	22	22,48
<b>500-4218</b>	0,37 kW	<b>72</b>	25	19,55
<b>500-4218</b>	0,37 kW	<b>79</b>	28	17,88
<b>500-4218</b>	0,37 kW	<b>91</b>	32	15,55
<b>500-4218</b>	0,37 kW	<b>97</b>	34	14,60
<b>500-4218</b>	0,37 kW	<b>111</b>	39	12,69
<b>500-4218</b>	0,37 kW	<b>123</b>	43	11,44
<b>500-4218</b>	0,37 kW	<b>135</b>	47	10,46
Part no. for G500-B110	Power	Rpm	Speed at 50 Hz m/min	Ratio
<b>500-4219</b>	0,55 kW	<b>49</b>	17	28,96
<b>500-4219</b>	0,55 kW	<b>56</b>	20	25,18
<b>500-4219</b>	0,55 kW	<b>63</b>	22	22,48
<b>500-4219</b>	0,55 kW	<b>72</b>	25	19,55
<b>500-4219</b>	0,55 kW	<b>79</b>	28	17,88
<b>500-4219</b>	0,55 kW	<b>90</b>	31	15,55
<b>500-4219</b>	0,55 kW	<b>111</b>	39	12,69
<b>500-4219</b>	0,55 kW	<b>123</b>	43	11,44
<b>500-4219</b>	0,55 kW	<b>134</b>	47	10,46





**S1000**

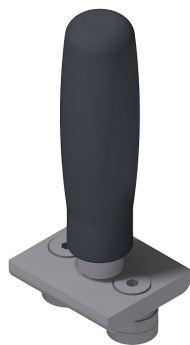


## Serie 1000

**Slide rail tool**

Tool for mounting slide rail 500-4000  
Plastic, anodized aluminum and stainless steel  
Weight 460 g

**Part.no 17770**

**Pliers**

For dismantling conveyor chain  
S620  
Zinc plated steel and rubber  
Weight 250 g

**Part.no 10657-4**

**Clamp**

For assembly and maintenance of  
conveyor chain  
Zinc plated steel and plastic  
Weight 620 g

**Part.no 17036**

**Pliers**

For splicing guide rail  
Painted steel and plastic  
Weight 700 g

**Part.no 16890**



[WWW.CARRYLINE.COM](http://WWW.CARRYLINE.COM)